

1 2 3 4 5 6 7

A

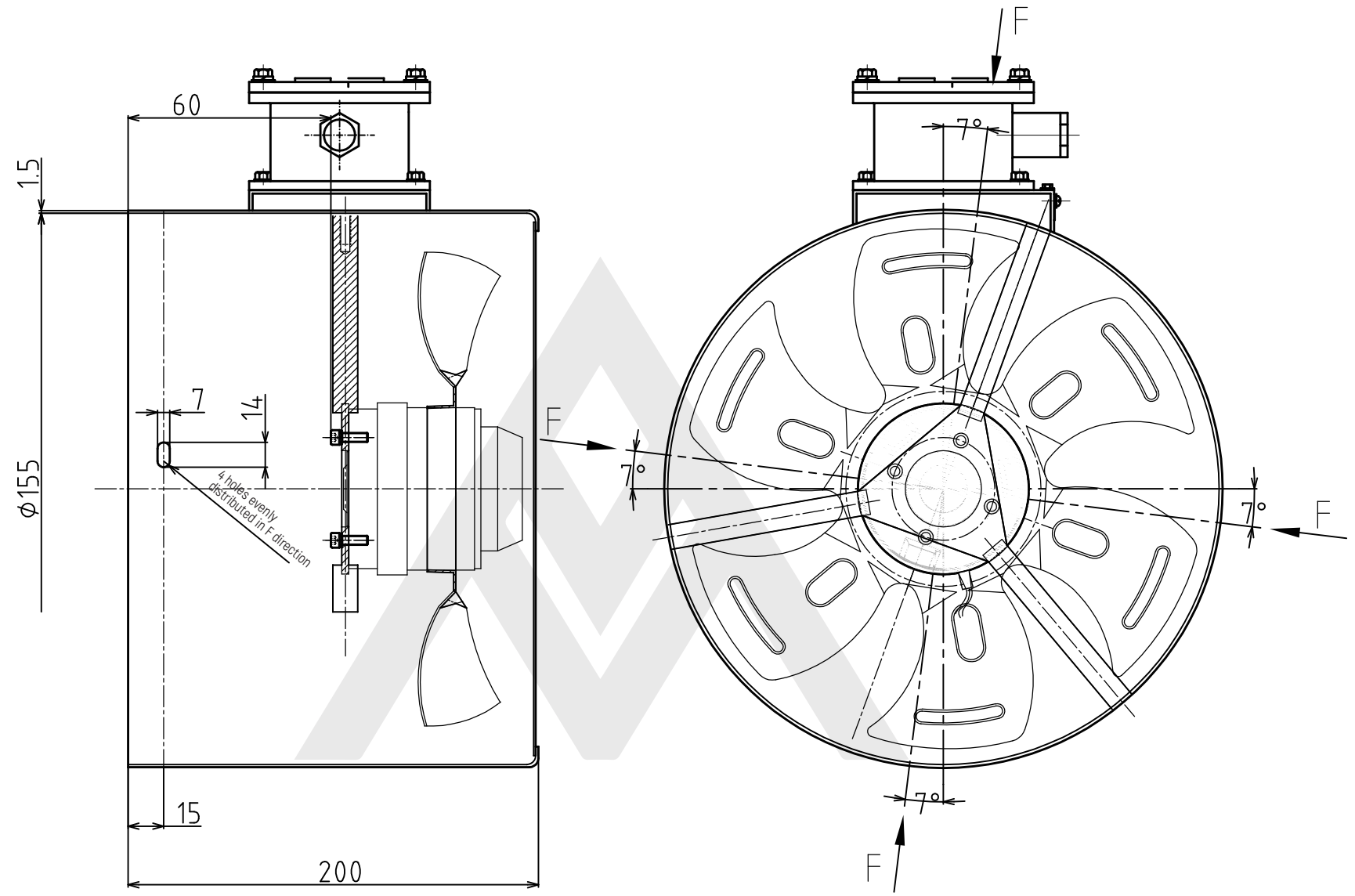
B

C

D

E

F



FZB80 Fan assembly drawing universal explosion-proof fan				WEIGHT			
				INVERSE PROPOTION			
ISSUE	A	DATE	CERTIFIED BY				
ISSUE	B	DATE	CERTIFIED BY				
ISSUE	C	DATE	CERTIFIED BY				
ISSUE	D	DATE	CERTIFIED BY				



1 2 3 4 5 6 7

G