

 Alliance Motori

**IE3**

# A-Y3H Series

■ HEAVY DUTY



[www.alliancemotori.com](http://www.alliancemotori.com)

**All IE3 motors are provide  
with premium quality cold-rolled  
silicon steel, low harmonics  
winding, VPI vacuum pressure  
impregnation and high precision  
CNC machining process.**

# IE3

## Product Information

### A-Y3H Series - Heavy Duty

Alliance IE3 electric motors are manufactured according to international standards IEC60034-30-1:2014. All IE3 motors are provided with premium quality cold-rolled silicon steel, low harmonics winding, VPI vacuum pressure impregnation and high precision CNC machining process. The motors are widely mounted on various general equipments and are the preferred choice for driving power. Alliance IE3 motors have the advantage of high efficiency, low temperature rise, low noise, good reliability and long service time. The motors can be provided with protection grade IP55, IP56, IP65, IP66 and insulation grade F, H, and have registered in national energy label system.

## Specification

Standard : IEC60034-30-1

Frame size : H80-355mm

Rated power : 0.55kW-355kW

Degrees or energy efficiency : IE3

Voltage and frequency : 400V/50Hz

Degrees of protections : IP55/IP56/IP65/IP66

Degrees of insulation/Temperature rise : F (H optional) / B

Installation method : B3/B5/B14/B35/V1 - Refer to pg10

Ambient temperature : -15°C ~ +40°C

Relative humidity should be less than 90%

Altitude should be lower than 1000m above sea level

Cooling method : IC411, IC416, IC418, IC410



# A-Y3H

2-pole, 3000r/min synchronous speed

Motor Type	Rated Power kW	Rated Speed r/min	Rated Current 380V A	Rated Current 400V A	Rated Current 415V A	Rated Eff. η%	Power Factor cosφ	Rated Torque Nm	$\frac{I_{st}}{I_n}$	$\frac{T_{st}}{T_n}$	$\frac{T_{max}}{T_n}$	M of 1 kgm <sup>2</sup>	LW dB(A) no load	LW dB(A) load	Net Weight Kg
Y3H-80M1-2	0.75	2910	1.7	1.6	1.6	80.7	0.82	2.5	7.0	2.3	2.3	0.001	62	64	20
Y3H-80M2-2	1.1	2910	2.4	2.3	2.2	82.7	0.83	3.6	7.3	2.2	2.3	0.002	62	64	22
Y3H-90S-2	1.5	2910	3.2	3.1	3	84.2	0.84	4.9	7.6	2.2	2.3	0.002	67	69	25
Y3H-90L-2	2.2	2910	4.6	4.3	4.2	85.9	0.85	7.2	7.6	2.2	2.3	0.003	67	69	32
Y3H-100L-2	3	2910	6	5.7	5.5	87.1	0.87	9.8	7.8	2.2	2.3	0.006	74	76	42
Y3H-112M-2	4	2915	7.8	7.4	7.2	88.1	0.88	13.1	8.3	2.2	2.3	0.009	77	79	50
Y3H-132S1-2	5.5	2920	10.6	10.1	9.7	89.2	0.88	18	8.3	2.0	2.3	0.024	79	81	70
Y3H-132S2-2	7.5	2920	14.4	13.7	13.2	90.1	0.88	24.5	7.9	2.0	2.3	0.029	79	81	75
Y3H-160M1-2	11	2935	20.6	19.6	18.9	91.2	0.89	35.8	8.1	2.0	2.3	0.067	81	83	132
Y3H-160M2-2	15	2935	27.9	26.5	25.5	91.9	0.89	48.8	8.1	2.0	2.3	0.080	81	83	140
Y3H-160L-2	18.5	2935	34.2	32.5	31.3	92.4	0.89	60.2	8.2	2.0	2.3	0.097	81	83	150
Y3H-180M-2	22	2940	40.5	38.5	37.1	92.7	0.89	71.5	8.2	2.0	2.3	0.137	83	85	200
Y3H-200L1-2	30	2950	54.9	52.1	50.3	93.3	0.89	97.1	7.6	2.0	2.3	0.227	84	86	260
Y3H-200L2-2	37	2950	67.4	64	61.7	93.7	0.89	120	7.6	2.0	2.3	0.269	84	86	270
Y3H-225M-2	45	2970	80.8	76.8	74	94.0	0.90	145	7.7	2.0	2.3	0.360	86	88	330
Y3H-250M-2	55	2970	98.5	93.5	90.2	94.3	0.90	177	7.7	2.0	2.3	0.791	89	91	450
Y3H-280S-2	75	2975	134	127	122	94.7	0.90	241	7.1	1.8	2.3	0.960	91	93	580
Y3H-280M-2	90	2975	160	152	146	95.0	0.90	289	7.1	1.8	2.3	1.157	91	93	630
Y3H-315S-2	110	2980	195	185	179	95.2	0.90	353	7.1	1.8	2.3	1.662	92	94	935
Y3H-315M-2	132	2980	234	222	214	95.4	0.90	423	7.1	1.8	2.3	1.874	92	94	1032
Y3H-315L1-2	160	2980	279	265	256	95.6	0.91	513	7.2	1.8	2.3	2.146	92	94	1100
Y3H-315L-2	185	2980	323	307	296	95.6	0.91	593	7.2	1.8	2.3	2.266	92	94	1130
Y3H-315L2-2	200	2980	349	331	319	95.8	0.91	641	7.2	1.8	2.2	2.448	92	94	1160
Y3H-355M1-2	220	2980	388	368	355	95.8	0.90	705	7.2	1.6	2.2	2.693	100	102	1615
Y3H-355M2-2	250	2980	436	414	399	95.8	0.91	801	7.2	1.6	2.2	4.034	100	102	1658
Y3H-355L-2	280	2980	488	464	447	95.8	0.91	897	7.2	1.6	2.2	4.095	100	102	1736
Y3H-355L1-2	315	2980	549	522	503	95.8	0.91	1010	7.2	1.6	2.2	4.645	100	102	1822
Y3H-355L2-2	355	2980	619	588	567	95.8	0.91	1138	7.2	1.6	2.2	5.242	104	106	2300
Y3H-355L3-2	375	2980	654	621	598	95.8	0.91	1202	7.2	1.6	2.2	5.536	104	106	2350

# A-Y3H

4-pole, 1500r/min synchronous speed

Motor Type	Rated Power kW	Rated Speed r/min	Rated Current 380V A	Rated Current 400V A	Rated Current 415V A	Rated Eff. $\eta\%$	Power Factor $\cos\phi$	Rated Torque Nm	Ist In	Tst Tn	Tmax Tn	Mof1 kgm2	LW dB(A) no load	LW dB(A) load	Net Weight Kg
Y3H-802-4	0.75	1430	1.8	1.7	1.7	82.5	0.75	5	6.6	2.3	2.3	0.003	56	61	21
Y3H-90S-4	1.1	1435	2.6	2.5	2.4	84.1	0.76	7.3	6.8	2.3	2.3	0.004	59	64	29
Y3H-90L-4	1.5	1435	3.5	3.3	3.2	85.3	0.77	10	7.0	2.3	2.3	0.005	59	64	33
Y3H-100L1-4	2.2	1450	4.8	4.5	4.4	86.7	0.81	14.5	7.6	2.3	2.3	0.012	64	69	40
Y3H-100L2-4	3	1450	6.3	6	5.8	87.7	0.82	19.8	7.6	2.3	2.3	0.016	64	69	45
Y3H-112M-4	4	1455	8.4	7.9	7.7	88.6	0.82	26.3	7.8	2.2	2.3	0.022	65	70	55
Y3H-132S-4	5.5	1460	11.2	10.7	10.3	89.6	0.83	36	7.9	2.0	2.3	0.060	71	76	75
Y3H-132M-4	7.5	1460	15	14.3	13.7	90.4	0.84	49.1	7.5	2.0	2.3	0.071	71	76	88
Y3H-160M-4	11	1470	21.5	20.4	19.7	91.4	0.85	71.5	7.7	2.2	2.3	0.137	73	78	132
Y3H-160L-4	15	1470	28.8	27.3	26.3	92.1	0.86	97.4	7.8	2.2	2.3	0.171	73	78	150
Y3H-180M-4	18.5	1475	35.3	33.5	32.3	92.6	0.86	120	7.8	2.0	2.3	0.238	76	80	190
Y3H-180L-4	22	1475	41.8	39.7	38.3	93.0	0.86	142	7.8	2.0	2.3	0.259	76	80	206
Y3H-200L-4	30	1475	56.6	53.8	51.9	93.6	0.86	194	7.3	2.0	2.3	0.459	76	80	278
Y3H-225S-4	37	1480	69.6	66.1	63.7	93.9	0.86	239	7.4	2.0	2.3	0.656	78	81	330
Y3H-225M-4	45	1480	84.4	80.2	77.3	94.2	0.86	290	7.4	2.0	2.3	0.758	78	81	360
Y3H-250M-4	55	1485	103	97.6	94.1	94.6	0.86	354	7.4	2.2	2.3	1.078	79	82	450
Y3H-280S-4	75	1485	136	129	125	95.0	0.88	482	6.9	2.0	2.3	1.800	80	83	640
Y3H-280M-4	90	1485	163	155	149	95.2	0.88	579	6.9	2.0	2.3	2.130	80	83	722
Y3H-315S-4	110	1490	197	187	180	95.4	0.89	705	7.0	2.0	2.2	3.415	88	91	960
Y3H-315M-4	132	1490	236	224	216	95.6	0.89	846	7.0	2.0	2.2	3.807	88	91	1050
Y3H-315L1-4	160	1490	285	271	261	95.8	0.89	1026	7.1	2.0	2.2	3.423	88	91	1150
Y3H-315L-4	185	1490	330	313	302	95.8	0.89	1186	7.1	2.0	2.2	4.479	88	91	1200
Y3H-315L2-4	200	1490	352	334	322	96.0	0.90	1282	7.1	2.0	2.2	5.262	88	91	1250
Y3H-355M1-4	220	1490	387	368	354	96.0	0.90	1410	7.1	2.0	2.2	5.449	95	97	1632
Y3H-355M2-4	250	1490	440	418	403	96.0	0.90	1602	7.1	2.0	2.2	6.192	95	97	1725
Y3H-355L-4	280	1490	492	468	451	96.0	0.90	1795	7.1	2.0	2.2	6.732	95	97	1792
Y3H-355L1-4	315	1490	554	526	507	96.0	0.90	2019	7.1	2.0	2.2	7.273	95	97	1960
Y3H-355L2-4	355	1490	638	607	585	96.0	0.88	2275	7.0	1.7	2.2	8.196	102	104	2150
Y3H-355L3-4	375	1490	674	641	618	96.0	0.88	2404	7.0	1.7	2.2	8.658	102	104	2350

# A-Y3H

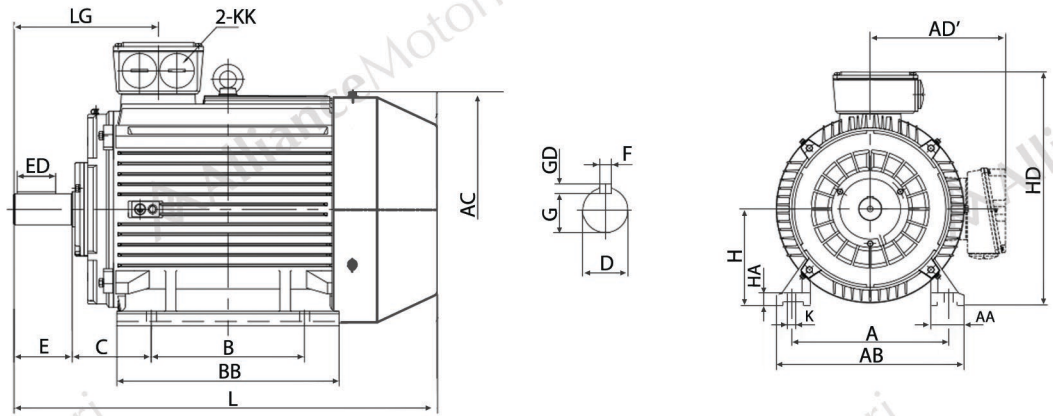
6-pole, 1000r/min synchronous speed

Motor Type	Rated Power kW	Rated Speed r/min	Rated Current 380V A	Rated Current 400V A	Rated Current 415V A	Rated Eff. $\eta\%$	Power Factor $\cos\phi$	Rated Torque Nm	$\frac{I_{st}}{I_n}$	$\frac{T_{st}}{T_n}$	$\frac{T_{max}}{T_n}$	M of 1 kgm <sup>2</sup>	LW dB(A) no load	LW dB(A) load	Net Weight Kg
Y3H-90S-6	0.75	930	2	1.9	1.9	78.9	0.71	7.7	6.0	2.0	2.1	0.004	57	64	26
Y3H-90L-6	1.1	930	2.8	2.7	2.6	81.0	0.73	11.3	6.0	2.0	2.1	0.006	57	64	30
Y3H-100L-6	1.5	950	3.8	3.6	3.5	82.5	0.73	15.1	6.5	2.0	2.1	0.016	61	68	38
Y3H-112M-6	2.2	960	5.4	5.1	4.9	84.3	0.74	21.9	6.6	2.0	2.1	0.039	65	72	48
Y3H-132S-6	3	970	7.2	6.8	6.6	85.6	0.74	29.5	6.8	2.0	2.1	0.035	69	76	65
Y3H-132M1-6	4	970	9.5	9	8.7	86.8	0.74	39.4	6.8	2.0	2.1	0.043	69	76	76
Y3H-132M2-6	5.5	970	12.7	12	11.6	88.0	0.75	54.1	7.0	2.0	2.1	0.056	69	76	85
Y3H-160M-6	7.5	975	16.2	15.4	14.8	89.1	0.79	73.5	7.0	2.0	2.1	0.140	73	80	130
Y3H-160L-6	11	975	23.1	22	21.2	90.3	0.80	108	7.2	2.0	2.1	0.192	73	80	145
Y3H-180L-6	15	985	30.9	29.3	28.2	91.2	0.81	145	7.3	2.0	2.1	0.319	73	79	195
Y3H-200L1-6	18.5	980	37.8	36	34.7	91.7	0.81	180	7.3	2.0	2.1	0.446	73	79	250
Y3H-200L2-6	22	980	44.8	42.5	41	92.2	0.81	214	7.4	2.0	2.1	0.557	73	79	265
Y3H-225M-6	30	980	59.1	56.1	54.1	92.9	0.83	292	6.9	2.0	2.1	0.832	74	80	320
Y3H-250M-6	37	980	71.7	68.1	65.7	93.3	0.84	361	7.1	2.0	2.1	1.447	76	82	420
Y3H-280S-6	45	980	85.8	81.6	78.6	93.7	0.85	439	7.3	2.0	2.0	2.252	78	84	555
Y3H-280M-6	55	980	103	98.1	94.6	94.1	0.86	536	7.3	2.0	2.0	2.726	78	84	630
Y3H-315S-6	75	990	143	136	131	94.6	0.84	724	6.6	2.0	2.0	3.984	83	88	865
Y3H-315M-6	90	990	170	161	155	94.9	0.85	868	6.7	2.0	2.0	4.500	83	88	980
Y3H-315L1-6	110	990	207	196	189	95.1	0.85	1061	6.7	2.0	2.0	5.607	83	88	1100
Y3H-315L2-6	132	990	244	232	224	95.4	0.86	1273	6.8	2.0	2.0	6.935	83	88	1200
Y3H-355M1-6	160	990	296	281	271	95.6	0.86	1543	6.8	1.8	2.0	10.222	85	89	1650
Y3H-355M-6	185	990	342	325	313	95.6	0.86	1785	6.8	1.8	2.0	10.750	85	89	1750
Y3H-355M2-6	200	990	365	346	334	95.8	0.87	1929	6.8	1.8	2.0	11.031	85	89	1810
Y3H-355M3-6	220	990	402	382	368	95.8	0.87	2122	6.8	1.8	2.0	11.705	85	89	1910
Y3H-355L2-6	250	990	456	433	417	95.8	0.87	2412	6.8	1.8	2.0	11.897	85	89	2060
Y3H-355L-6	280	990	512	486	468	95.8	0.87	2701	6.8	1.8	2.0	14.333	85	89	2110
Y3H-355L3-6	315	990	581	552	532	95.8	0.86	3039	6.8	1.8	2.0	14.990	91	95	2400

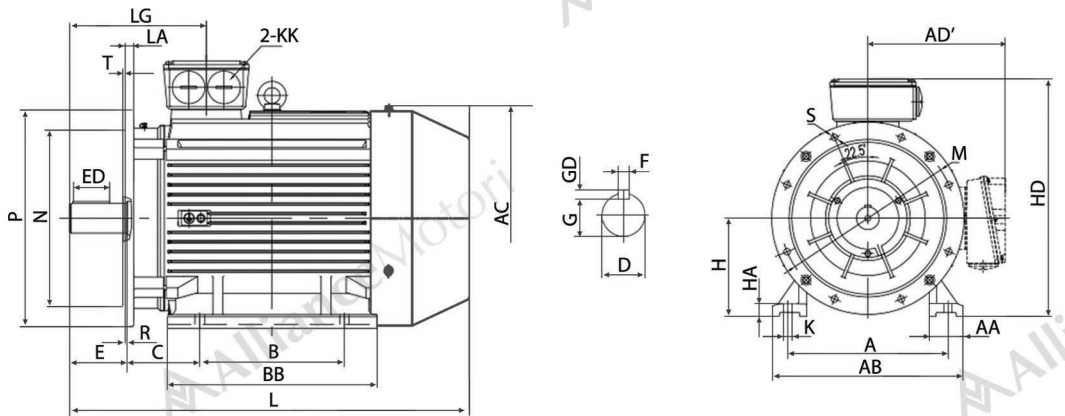
# DIMENSIONS MOUNT

## A-Y3H HEAVY DUTY

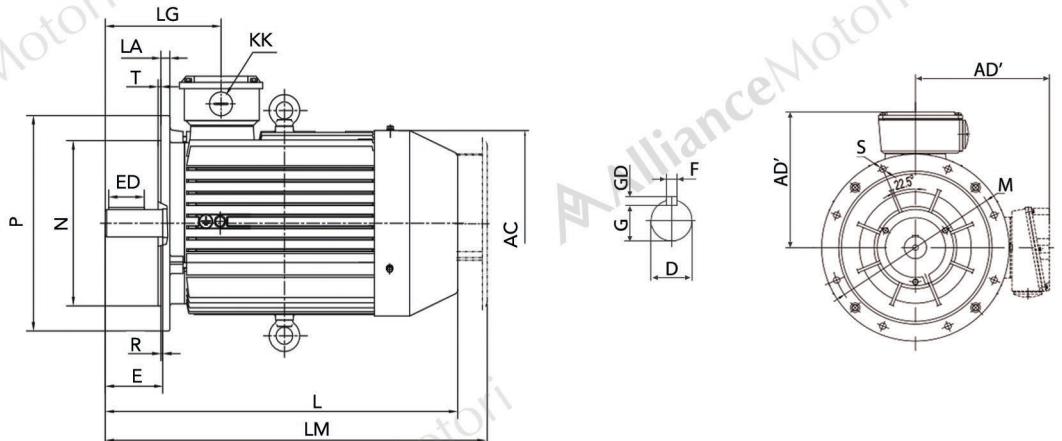
### ■ DIMENSIONS MOUNT B3



### ■ DIMENSIONS MOUNT B35



### ■ DIMENSIONS MOUNT V1



# PERFORMANCE PARAMETERS

## A-Y3H HEAVY DUTY

2-6P

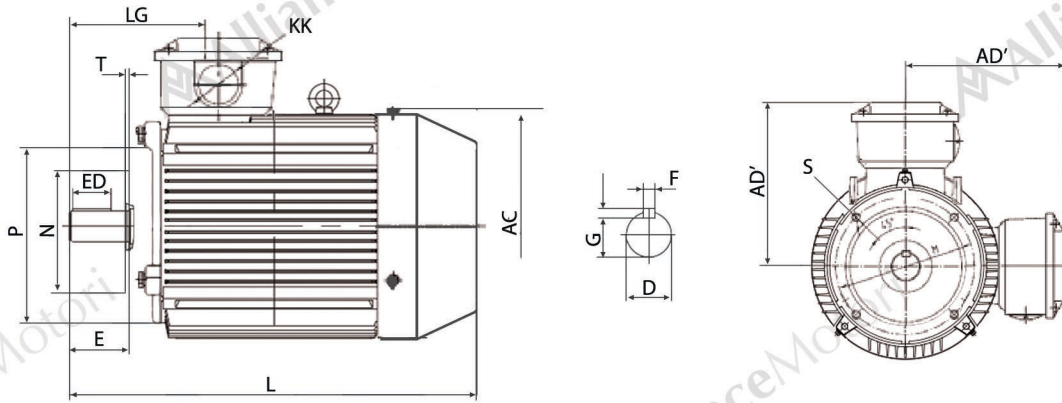
Frame	B3																	B35 / V1										
	A	AA	AB	AC	AD'	B	BB	C	D	E	ED	F	G	GD	H	HA	HD	K	L	LG	KK	LA	M	N	P	S	T	LM
80	125	34	160	180	160	100	142	50	19	40	22	6	15.5	6	80	10	240	10	305	112	M25X1.5	14	165	130	200	12	3.5	345
90S	140	36	180	210	170	100	180	56	24	50	32	8	20	7	90	13	260	10	340	132	M25X1.5	12	165	130	200	12	3.5	380
90L	140	36	180	210	165	125	210	56	24	50	32	8	20	7	90	13	260	10	365	132	M25X1.5	12	165	130	200	12	3.5	405
100L	160	40	200	220	185	140	233	63	28	60	40	8	24	7	100	14	285	12	403	153	M25X1.5	14	215	180	250	14.5	4	450
112M	190	45	230	236	205	140	252	70	28	60	40	8	24	7	112	14	315	12	410	144	M32X1.5	12	215	180	250	14.5	4	460
132S	216	52	265	275	225	140	220	89	38	80	56	10	33	8	132	16	355	12	485	167	M32X1.5	13	265	230	300	14.5	4	535
132M	216	52	265	275	225	178	258	89	38	80	56	10	33	8	132	16	355	12	525	167	M32X1.5	13	265	230	300	14.5	4	575
160M	254	65	320	330	265	210	325	108	42	110	80	12	37	8	160	19	425	14.5	665	268	M40X1.5	15	300	250	350	18.5	5	720
160L	254	65	320	330	265	254	325	108	42	110	80	12	37	8	160	19	425	14.5	665	268	M40X1.5	15	300	250	350	18.5	5	720
180M	279	70	350	380	285	241	335	121	48	110	80	14	42.5	9	180	22	465	14.5	730	277	M40X1.5	15	300	250	350	18.5	5	785
180L	279	70	350	380	285	279	335	121	48	110	80	14	42.5	9	180	22	465	14.5	730	277	M40X1.5	15	300	250	350	18.5	5	785
200L	318	80	390	420	310	305	355	133	55	110	90	16	49	10	200	25	510	18.5	790	298	M50X1.5	17	350	300	400	18.5	5	860
225S(4-6P)	356	75	435	465	335	286	350	149	60	140	100	18	53	11	225	28	560	18.5	840	338	M50X1.5	19	400	350	450	18.5	5	910
225M(2P)	356	75	435	465	335	311	375	149	55	110	80	16	49	10	225	28	560	18.5	865	338	M50X1.5	19	400	350	450	18.5	5	935
225M(4-6P)	356	75	435	465	335	311	375	149	60	140	100	18	53	11	225	28	560	18.5	865	338	M50X1.5	19	400	350	450	18.5	5	935
250M(2P)	406	100	485	520	385	349	450	168	60	140	100	18	53	11	250	33	635	24	945	360	M63X1.5	20	500	450	550	18.5	5	1025
250M(4-6P)	406	100	485	520	385	349	450	168	65	140	100	18	58	11	250	33	635	24	945	360	M63X1.5	20	500	450	550	18.5	5	1025
280S(2P)	457	105	550	570	415	368	490	190	65	140	100	18	58	11	280	35	695	24	990	344	M63X1.5	22	500	450	550	18.5	5	1080
280S(4-6P)	457	105	550	570	415	368	490	190	75	140	100	20	67.5	12	280	35	695	24	990	344	M63X1.5	22	500	450	550	18.5	5	1080
280M(2P)	457	105	550	570	415	419	540	190	65	140	100	18	58	11	280	35	695	24	1045	344	M63X1.5	22	500	450	550	18.5	5	1125
280M(4-6P)	457	105	550	570	415	419	540	190	75	140	100	20	67.5	12	280	35	695	24	1045	344	M63X1.5	22	500	450	550	18.5	5	1125
315S(2P)	508	125	630	650	490	406	515	216	65	140	100	18	58	11	315	45	805	28	1185	417	M63X1.5	24	600	550	660	24	6	1285
315M(2P)	508	125	630	650	490	457	625	216	65	140	100	18	58	11	315	45	805	28	1295	417	M63X1.5	24	600	550	660	24	6	1395
315L(2P)	508	125	630	650	490	508	625	216	65	140	100	18	58	11	315	45	805	28	1295	417	M63X1.5	24	600	550	660	24	6	1395
315S(4-6P)	508	125	630	650	490	406	515	216	80	170	130	22	71	14	315	45	805	28	1185	417	M63X1.5	24	600	550	660	24	6	1315
315M(4-6P)	508	125	630	650	490	457	625	216	80	170	130	22	71	14	315	45	805	28	1325	417	M63X1.5	24	600	550	660	24	6	1425
315L(4-6P)	508	125	630	650	490	508	625	216	80	170	130	22	71	14	315	45	805	28	1325	417	M63X1.5	24	600	550	660	24	6	1425
355M(2P)	610	125	735	735	645	560	850	254	75	140	110	20	67.5	12	355	49	1000	28	1620	420	M63X1.5	25	740	680	800	24	6	1720
355L1(2P)	610	125	735	735	645	630	850	254	75	140	110	20	67.5	12	355	49	1000	28	1620	420	M63X1.5	25	740	680	800	24	6	1720
355L2,3(2P)	630	135	760	800	770	800	1140	224	80	170	130	22	71	14	355	52	1000	35	1870	472	M63X1.5	25	840	780	900	24	6	1970
355M(4-6P)	610	125	735	735	645	560	850	254	95	170	140	25	86	14	355	49	1000	28	1650	450	M63X1.5	25	740	680	800	24	6	1750
355L1(4-6P)	610	125	735	735	645	630	850	254	95	170	140	25	86	14	355	49	1000	28	1650	450	M63X1.5	25	740	680	800	24	6	1750
355L3-4P/L2-6P	630	135	760	800	770	800	1140	224	110	210	180	28	100	16	355	52	1000	35	1940	512	M63X1.5	25	840	780	900	24	6	2040

Note: R=0

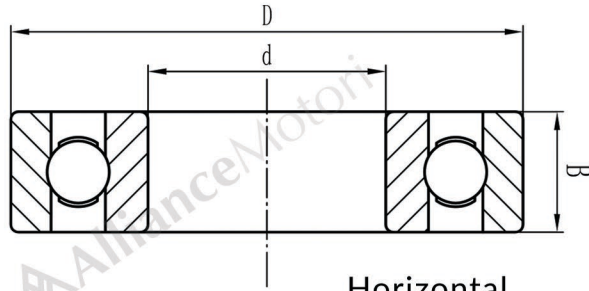
# PERFORMANCE PARAMETERS

## A-Y3H HEAVY DUTY

■ DIMENSIONS  
MOUNT B14



FRAME SIZE	AC	AD'	D	E	ED	F	G	GD	KK	L	LG	B14A					B14B				
												M	N	P	S	T	M	N	P	S	T
80M	175	155	19	40	22	6	15.5	6	M25X1.5	305	112	100	80	120	M6	3	130	110	160	M8	3.5
90S	195	175	24	50	32	8	20	7	M25X1.5	360	132	115	95	140	M8	3	130	110	160	M8	3.5
90L	195	175	24	50	32	8	20	7	M25X1.5	390	132	115	95	140	M8	3	130	110	160	M8	3.5
100L	215	180	28	60	40	8	24	7	M25X1.5	435	153	130	110	160	M8	3.5	165	130	200	M10	3.5
112M	240	190	28	60	40	8	24	7	2XM32X1.5	470	144	130	110	160	M8	3.5	165	130	200	M10	3.5
132S	275	210	38	80	56	10	33	8	2XM32X1.5	510	167	165	130	200	M10	3.5	215	180	250	M12	4
132M	275	210	38	80	56	10	33	8	2XM32X1.5	560	167	165	130	200	M10	3.5	215	180	250	M12	4
160M	330	255	42	110	80	12	37	8	2XM40X1.5	700	268	215	180	250	M12	4	-	-	-	-	-
160L	330	255	42	110	80	12	37	8	2XM40X1.5	700	268	215	180	250	M12	4	-	-	-	-	-



**Vertical**

Frame Size	DE	NDE	d	D	B
80	6204 ZZ	6204 ZZ	20	47	14
90	6205 ZZ	6205 ZZ	25	52	15
100	6206 ZZ	6206 ZZ	30	62	16
112	6306 ZZ	6306 ZZ	30	72	19
132	6308 ZZ	6308 ZZ	40	90	23
160	6309	6309	45	100	25
180	6311	6311	55	120	29
200	6312	6312	60	130	31
225	6313	6313	65	140	33
250	6314	7314	70	150	35
280 - 2P	6314	7314	70	150	35
280 - 4 - 8P	6317	7317	85	180	41
315 - 2P	6316	7316	80	170	39
315 - 4 - 10P	6319	7319	95	200	45
355 - 2P	6319	7319	95	200	45
355 - 4 - 10P	6322	7322	110	240	50
355L3 - 4P, L2-6P	NU324	7324	120	260	55

**Horizontal**

Frame Size	DE	NDE	d	D	B
80	6204 ZZ	6204 ZZ	20	47	14
90	6205 ZZ	6205 ZZ	25	52	15
100	6206 ZZ	6206 ZZ	30	62	16
112	6306 ZZ	6306 ZZ	30	72	19
132	6308 ZZ	6308 ZZ	40	90	23
160	6309	6309	45	100	25
180	6311	6311	55	120	29
200	6312	6312	60	130	31
225	6313	6313	65	140	33
250	6314	6314	70	150	35
280 - 2P	6314	6314	70	150	35
280 - 4 - 8P	6317	6317	85	180	41
315 - 2P	6316	6316	80	170	39
315 - 4 - 10P	6319	6319	95	200	45
355 - 2P	6319	6319	95	200	45
355 - 4 - 10P	6322	6322	110	240	50
355L3 - 4P, L2-6P	NU324	6324	120	260	55

**BEARING TYPE AND LUBRICATION INTERVAL TABLE**

**Notes:** Motor H80 ~ 132 with sealed bearings need not to grease, motors whose frames dimensions are greater than H160 are equipped with grease filling and draining devices.

For vertical motor, if unspecified, the interval is half of the above value. The above value is based on bearing temperature of 80°C and environment temperature of +25°C. The environment temperature changes will affect the bearing temperature. The interval shall be half every 15°C increased of the bearing temperature, while double the interval every 15°C reduced of bearing temperature.

The standard motor use HTHS grease. Please do not mix other brand and type of grease to avoid damage to the bearing which can be caused by incompatible of different grease.

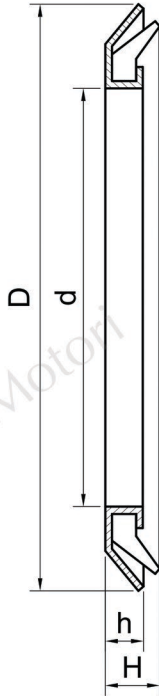
Frame Size	Frame Size		Grease Amount G	Interval (hour)		
	DE	NDE		<3600rpm	<1800rpm	<1000rpm
160	6309	6309	30	3000	4000	5000
180	6311	6311	50	3000	4000	5000
200	6312	6312	60	3000	4000	5000
225	6313	6313	80	3000	4000	5000
250	6314	6314	80	2000	4000	5000
280 - 2P	6314	6314	80	2000	-	-
280 - 4 - 8P	6317	6317	120	-	4000	5000
315 - 2P	6316	6316	100	2000	-	-
315 - 4 - 10P	6319	6319	120	-	2000	4000
355 - 2P	6319	6319	120	1000	-	-
355 - 4 - 10P	6322	6322	220	-	2000	4000
355L3 - 4P, L2-6P	Nu324	6324	240	-	2000	4000

**Note.** Data May Change Without Notice

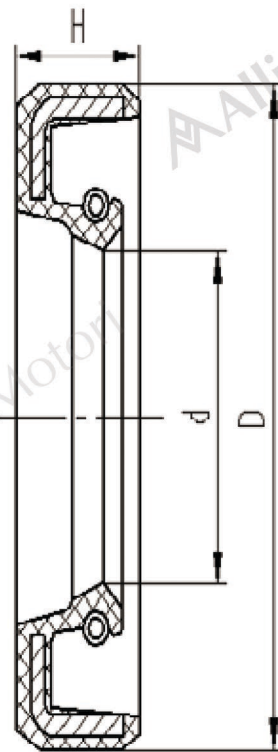
# SEALING

## A-Y3H HEAVY DUTY MOTOR

### OIL SEALING



Frame Size	Type	d	D	h	H
80	RB20*35*4.0	Ø20	Ø35	3	6
90	RB25*40*4.0	Ø25	Ø40	3	6
100	RB30*47*4.5	Ø30	Ø47	3.5	6
112	RB30*47*4.5	Ø30	Ø47	3.5	6
132	RB40*57*4.5	Ø40	Ø57	3.5	6.5
160	RB45*62*4.5	Ø45	Ø62	3.5	6.5
180	RB55*75*5.5	Ø55	Ø75	4.5	6.5
200	RB60*80*5.5	Ø60	Ø80	4.5	6.5
225	RB65*85*5.5	Ø65	Ø85	4.5	8
250	RB70*90*5.5	Ø70	Ø90	4.5	8
280-2	RB70*90*5.5	Ø70	Ø90	4.5	8
280-4	RB85*105*5.5	Ø85	Ø105	4.5	8
315-2	RB80*100*5.5	Ø80	Ø100	4.5	8
315-4	RB95*115*5.5	Ø95	Ø115	4.5	8
355-2	RB95*115*5.5	Ø95	Ø115	4.5	8
355-4	RB110*130*5.5	Ø110	Ø130	4.5	8



Frame Size	Type	d	D	H
80	(F)B20X42X5	Ø20	Ø42	5
90	(F)B25X47X5	Ø25	Ø47	5
100	(F)B30X52X7	Ø30	Ø52	7
112	(F)B30X52X7	Ø30	Ø52	7
132	(F)B40X62X5	Ø40	Ø62	5
160	(F)B45X70X8	Ø45	Ø70	8
180	(F)B55X80X8	Ø55	Ø80	8
200	(F)B60X85X8	Ø60	Ø85	8
225	(F)B65X90X10	Ø65	Ø90	10
250	(F)B70X95X10	Ø70	Ø95	10
280-2	(F)B70X95X10	Ø70	Ø95	10
280-4.6.8	(F)B85X110X12	Ø85	Ø110	12
315-2	(F)B80X105X10	Ø80	Ø105	10
315-4.6.8	(F)B95X120X12	Ø95	Ø120	12
355-2	(F)B95X120X12	Ø95	Ø120	12
355-4.6.8	(F)B110X140X12	Ø110	Ø140	12
355L3-4P, L2-6P	(F)B120X150X12	Ø120	Ø150	12



 **Alliance**Motori

[www.alliancemotori.com](http://www.alliancemotori.com)

Authorized Dealer

The information provided in this catalogue contains descriptions or characteristics of performance which in case of actual use do not always apply as described or which may change as a result of further development of the products. An obligation to provide the respective characteristics shall only exist if expressly agreed in the terms of contract. Availability and technical specifications are subject to change without notice.