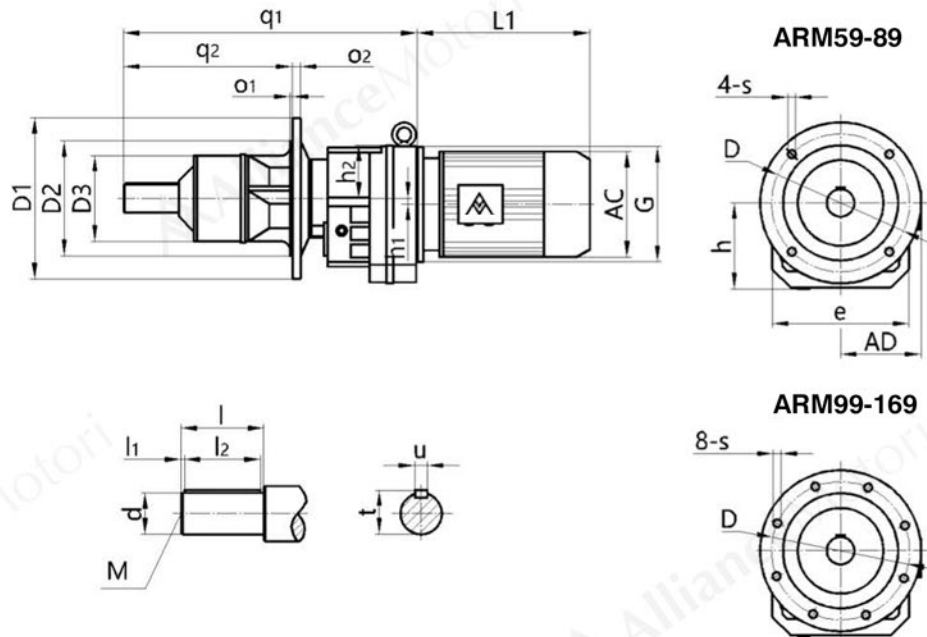


■ Mounting Dimensional Description ARM59 - ARM169



Type Size	q ₁ q ₂	o ₁ o ₂	h ₁ h ₂	h e	D D1	D2 d	D3 l	l ₁ l ₂	s M	u t	G	Motor Size															
												AC	AD	L1													
ARM59	420	4	11.2	122	Φ215	Φ180j6	Φ142	7	Φ13.5	10	Φ160	Please see YG2 Motor Dimension Data															
	230	15	75	202	Φ250	Φ35k6	70	56	M12	38																	
ARM69	459	4	20.7	134	Φ265	Φ230j6	Φ152	5	Φ13.5	12	Φ160																
	240	16	86	215	Φ300	Φ40k6	80	70	M16	43																	
ARM79	527	5	15.9	147	Φ300	Φ250h6	Φ180	10	Φ17.5	14	Φ200																
	300	18	93	235	Φ350	Φ50k6	100	80	M16	53.5																	
ARM89	639	5	12.6	184	Φ300	Φ250h6	Φ199	5	Φ17.5	18	Φ250																
	360	18	115	297	Φ350	Φ60m6	120	110	M20	64																	
ARM99	745	5	10.2	232	Φ400	Φ350h6	Φ229	7.5	Φ17.5	20	Φ300																
	420	22	145	348	Φ450	Φ70m6	140	125	M20	74.5																	
ARM109	864	5	20.4	258	Φ500	Φ450h6	Φ250	25	Φ17.5	22	Φ350																
	500	25	161	409	Φ550	Φ80m6	170	125	M20	85																	
ARM139	1024	5	25.1	318	Φ500	Φ450h6	Φ275	15	Φ17.5	28	Φ400																
	600	25	180	458	Φ550	Φ100m6	210	180	M24	106																	
ARM149	1154	6	33.4	363	Φ600	Φ550h6	Φ299	15	Φ22	28	Φ450																
	660	28	210	540	Φ660	Φ110m6	210	180	M24	116																	
ARM169	1313	6	59.9	432	Φ600	Φ550h6	Φ321	5	Φ22	32	Φ550																
	730	28	250	670	Φ660	Φ125m6	210	200	M24	134																	

Note:the dimensions don't include the height of the breathe valve.the height of the breathe valve is 17.

Note:When equipping the user's motor or the special one, the flange is required to connected. (Gearbox IEC Adaptor Dimension)