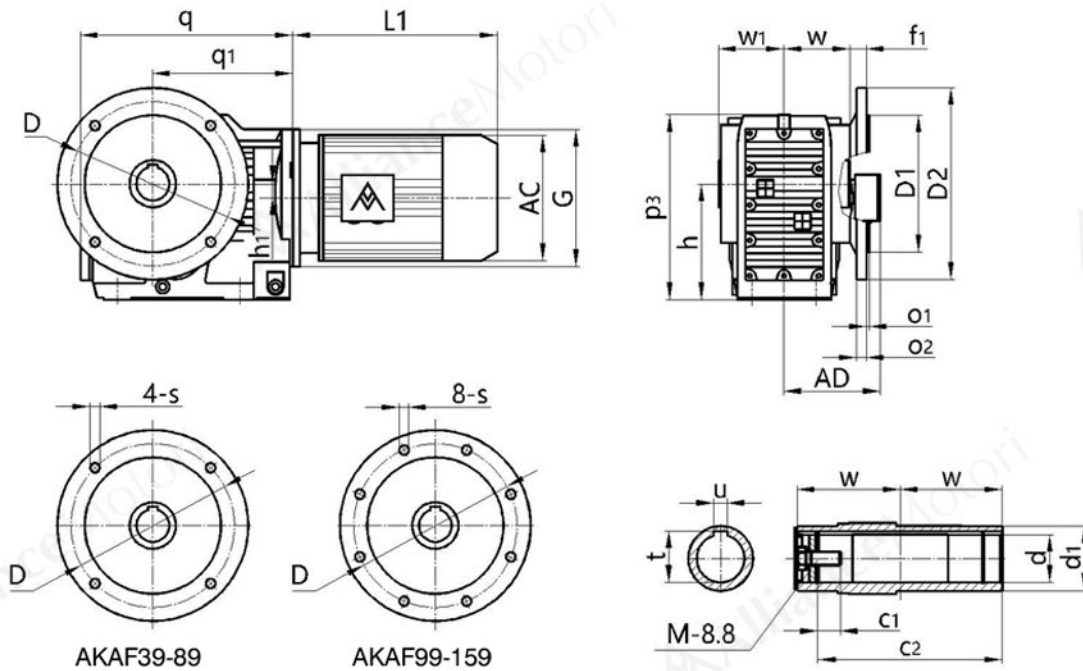


■ Mounting Dimensional Description AKAF39-159



Type Size	s o ₁	q o ₂	q ₁ w	h ₁ f ₁	D d	D1 d ₁	D2 u	h t	p ₃ c ₁	c ₂ M	G w ₁	Motor Size			
												AC	AD	L1	
AKAF39	Φ9 3.5	210 10	139 60	8.5 24	Φ130 Φ30H7	Φ110j6 Φ45	Φ160 8	100-0.5 33.3	164 17	105 M10×25	Φ120 63	Please see appendix A-2 and A-3			
AKAF49	Φ11 3.5	243 12	166 75	7.2 25	Φ165 Φ35H7	Φ130j6 Φ50	Φ200 10	112-0.5 38.3	185 22	132 M12×30	Φ160 78				
AKAF59	Φ13.5 4	270 15	173 83	13.1 23.5	Φ215 Φ40H7	Φ180j6 Φ55	Φ250 12	132-0.5 43.3	215 29	142 M16×40	Φ160 86				
AKAF69	Φ13.5 4	275 15	179 90	20 23	Φ215 Φ40H7	Φ180j6 Φ55	Φ250 12	140-0.5 43.3	226 29	156 M16×40	Φ160 94				
AKAF79	Φ13.5 4	313 16	202 105	31.3 37	Φ265 Φ50H7	Φ230j6 Φ70	Φ300 14	180-0.5 53.8	288 32	183 M16×45	Φ200 108				
AKAF89	Φ17.5 5	391 18	257 120	25.9 30	Φ300 Φ60H7	Φ250h6 Φ85	Φ350 18	212-0.5 64.4	338 36	210 M20×50	Φ250 123				
AKAF99	Φ17.5 5	435 22	277 150	32.3 41.5	Φ400 Φ70H7	Φ350h6 Φ95	Φ450 20	265-1 74.9	417 34	270 M20×50	Φ300 153				
AKAF109	Φ17.5 5	537 22	341 175	52 41	Φ400 Φ90H7	Φ350h6 Φ118	Φ450 25	315-1 95.4	500 40	313 M24×60	Φ350 178				
AKAF129	Φ17.5 5	615 25	390 205	53 51	Φ500 Φ100H7	Φ450h6 Φ135	Φ550 28	375-1 106.4	592 38	373 M24×60	Φ450 208				
AKAF159	Φ22 6	706 28	426 250	71.7 60	Φ600 Φ120H7	Φ550h6 Φ155	Φ660 32	450-1 127.4	705 36	460 M24×60	Φ550 253				

Note:the dimensions don't include the height of the breathe valve.the height of the breathe valve is 17.

Note:When equipping the user's motor or the special one, the flange is required to connected. (Please see appendix D)