

FLUGO

Technical Catalogue



FSF Series

Stainless steel corrosion resistant
centrifugal pump



■ Application

- Mariculture
- Agriculture irrigation
- Sewage treatment
- environmental engineering

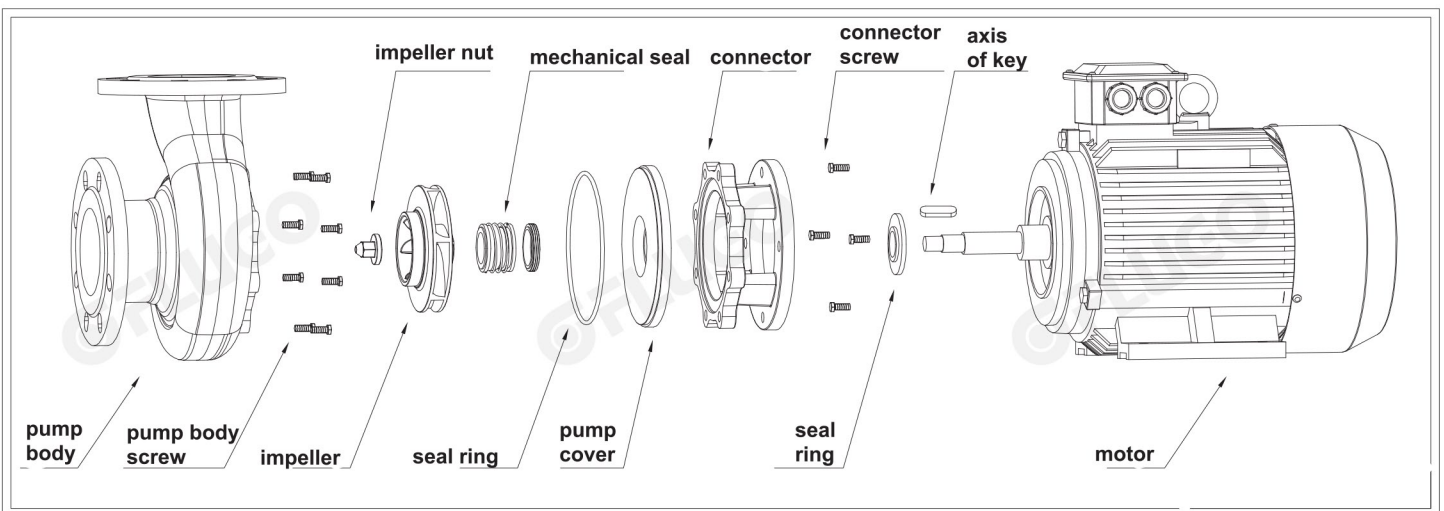
■ Technical parameter list

Model	Max flow rate (m³/h)	Max head (m)	Motor		Speed (RPM)	Suction/discharge DN (mm)
			Power (KW)	Voltage (V)		
FSF40	12	15	0.75	380	2900	40
FSF50	18	20	1.5	380	2900	50
FSF65	25	20	2.2	380	2900	65
FSF80	50	20	4	380	2900	80

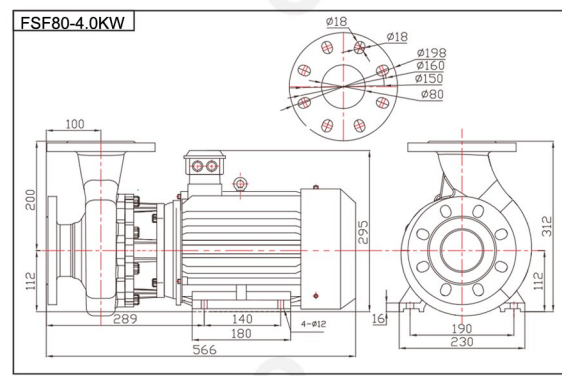
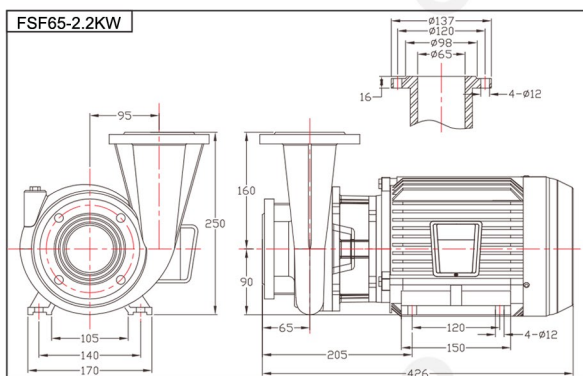
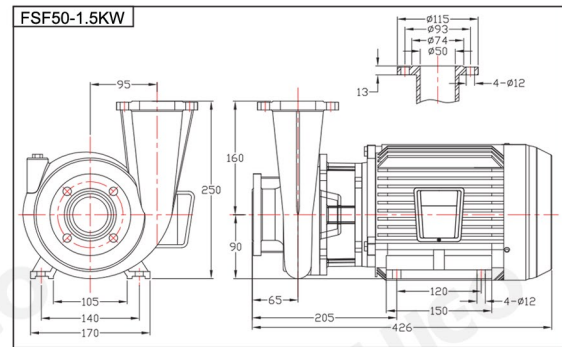
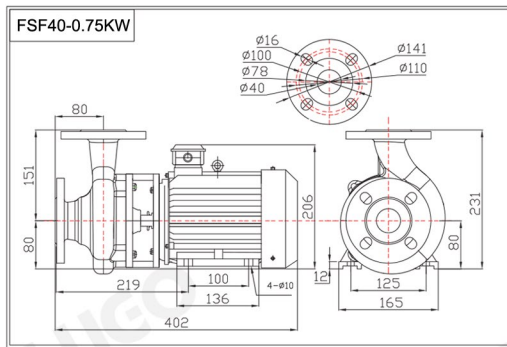
■ Working conditions

- Suitable for transport of 304/316L stainless steel
- would non-corrosive of liquid media
- Media temperature $\geq 120^{\circ}\text{C}$
- Environment temperature $\geq 40^{\circ}\text{C}$

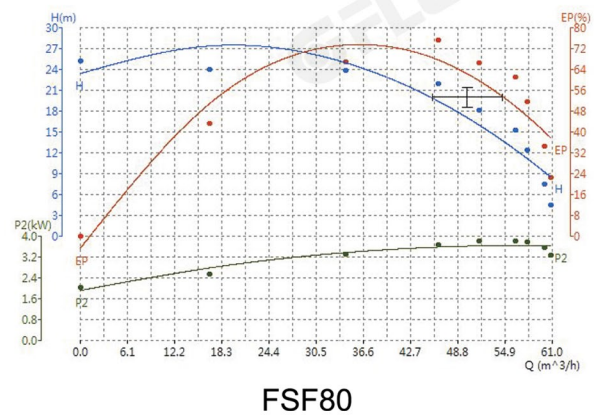
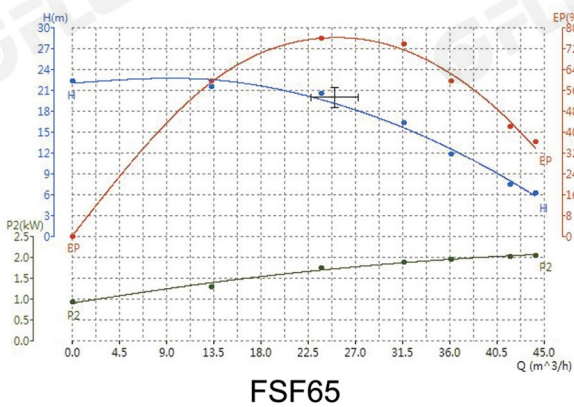
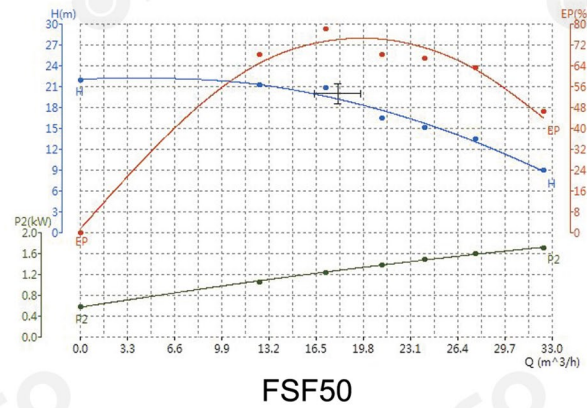
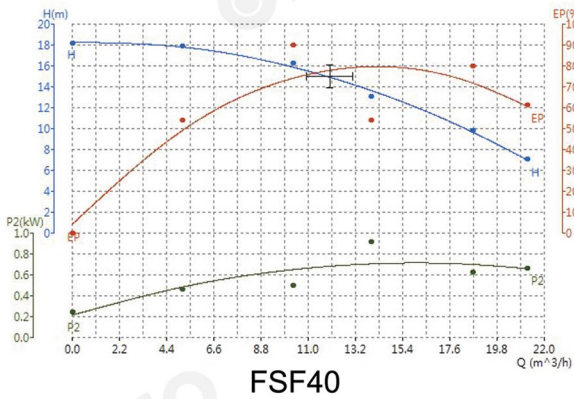
■ Explosive view



Installation dimensions outline drawing



Performance graph





FSF Series
Stainless steel corrosion resistant
centrifugal pump

Authorized Distributor