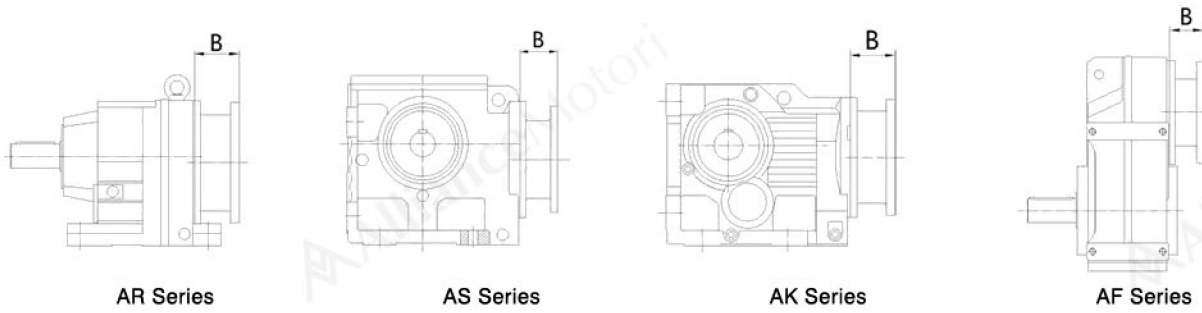


■ Mounting Dimensional AK-AM (Heavy Duty)



The dimension B of the flange for IEC series motors

AR Series

Type size \ Frame size	63	71	80	90	100	112	132	160	180	200	225	250	280	315
AR..19/29/39	50	70.5	99.5	99.5	119									
AR..49/59/69/ARX..59/69	44.5	65	94	94	111	111	150							
AR..79/ARX..79	36.5	59	88	88	103	103	138	179						
AR..89/ARX..89			83	83	99	99	133	174	174					
AR..99/ARX..99			73.5	73.5	93	93	128	169	169	165.5				
AR..109/ARX..109					87	87	122	163	163	159.5	193			
AR..139/ARX..139							115	156	156	152.5	186	185		
AR..149								148	148	144.5	178	177	189	
AR..169/179								140/132	140/132	136.5/128.5	170/162	166/158	178/170	253/245

AS Series

Type size \ Frame size	63	71	80	90	100	112	132	160	180	200				
AS..39/49/59	50	70.5	99.5	99.5	119									
AS..69	44.5	65	94	94	111	111	150							
AS..79	36.5	59	88	88	103	103	138	179						
AS..89			83	83	99	99	133	174	174					
AS..99			73.5	73.5	93	93	128	169	169					
AS..109					87	87	122	163	163	159.5				

AK Series

Type size \ Frame size	63	71	80	90	100	112	132	160	180	200	225	250	280	315
AK..39	50	70.5	99.5	99.5	119									
AK..49/59/69	44.5	65	94	94	111	111	150							
AK..79	36.5	59	88	88	103	103	138	179						
AK..89			83	83	99	99	133	174	174					
AK..99					73.5	93	93	128	169	169	165.5			
AK..109					87	87	122	163	163	159.5	193			
AK..129							107	148	148	144.5	178	177	189	
AK..159/169								140	140	136.5	170	166	178	253
AK..189								132	132	128.5	162	158	170	245

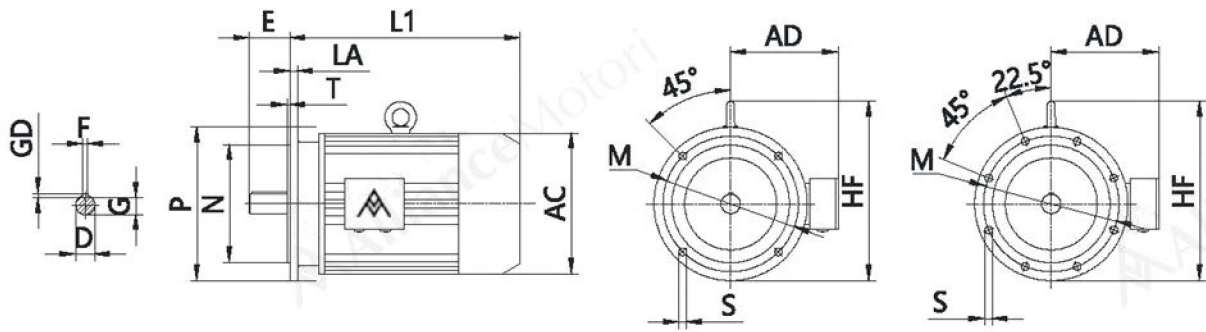
AF Series

Type size \ Frame size	63	71	80	90	100	112	132	160	180	200	225	250	280	315
AF..39/49	50	70.5	99.5	99.5	119									
AF..59/69	44.5	65	94	94	111	111	150							
AF..79	36.5	59	88	88	103	103	138	179						
AF..89			83	83	99	99	133	174	174					
AF..99					73.5	93	93	128	169	169	165.5			
AF..109					87	87	122	163	163	159.5	193			
AF..129							107	148	148	144.5	178	177	189	
AF..159								140	140	136.5	170	166	178	253

Maximum weight of coupling flange(kg)

Frame size	63	71	80	90	100	112	132	160	180	200	225	250	280	315
weight(kg)	4.1	5.1	12	12	20.2	20.2	36.7	68.3	68.3	64.5	79.5	105.3	118.8	196.4

■ Mounting Dimensional AK-AM (Heavy Duty)



Dimensions of Standary Ordinary Motors

Frame size	Mounting Dimensions																		
	D		E		F×GD		G		M	N	P	S	T	AC	AD	LA	HF	L1	
	2P	4-10P	2P	4-10P	2P	4-10P	2P	4-10P										2P	4-10P
63M	11		23		4×4		8.5	115	95	140	10	3	130	70	10	130	207		
71M	14		30		5×5		11	130	110	160			3.5	145	80	10	145	225	
80M	19		40		6×6		15.5	165	130	200	12	195		175	145	12	185	255	
90S	24		50		8×7		20						215	180	250	15	4	215	180
90L								12	195	295									
100L	28		60		8×7		24	215	180	250	15	4	215	180	14	245	325		
112M															14	265	340		
132S	38		80		10×8		33	265	230	300	19	5	275	210	14	315	390		
132M															14	315	430		
160M	42		110		12×8		37	300	250	350	19	5	330	255	16	385	505		
160L															16	385	560		
180M	48		110		14×9		42.5	300	250	350	19	5	380	280	18	430	590		
180L															18	430	630		
200L	55				16×10		49	350	300	400	19	5	420	305	18	480	660		
225S		60		140			53	400	350	450								470	335
225M	55	60	110	140	16×10	18×11	49				53								
250M	60	65			18×11		53	58			19	5	510	370	22	595	770		
280S	65	75	140		18×11	20×12	58	67.5	500	450								550	580
280M											22	650	895						
315S	65	80	140	170	18×11	22×14	58	71	600	550	660	24	6	645	530	25	845	1020	1100
315M																25	845	1050	1130
315L1	65	80	140	170	18×11	22×14	58	71	600	550	660	24	6	645	530	25	845	1020	1100
315L2																25	845	1050	1130