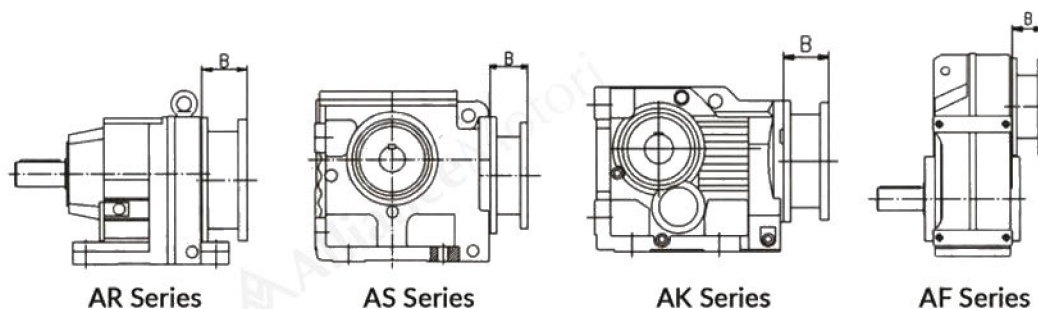


■ Mounting Dimensional AK-AM (Standard)



**The dimension B of the flange for Y or Y2 series motors**

**AR Series**

	63	71	80	90	100	112	132	160	180	200	225	250	280	315
AR .. 17/27/37	45	50.5	60.5	60.5	85.5									
AR .. 47/57/67	44.5	50	69	69	81	81	93							
AR .. 77 / ARX .. 77	44.5	50	70	70	75	75	96.5	125						
AR .. 87 / ARX .. 87			70	70	82	82	92	130	130					
AR .. 97 / ARX .. 97			65	65	81.5	81.5	92	125	125	152				
AR .. 107 / ARX .. 107					68	68	106	126	126	140	170			
AR .. 137 / ARX .. 137							106	127	127	140	170	192.5	192.5	
AR .. 147								120	120	139	169	192.5	192.5	
AR .. 167/177								115	115	160	170	192.5	192.5	260
ARX .. 57/67	44.5	50	69	69	81	81	93							

**AS Series**

	63	71	80	90	100	112	132	160	180	200				
AS .. 37/47/57	45	50.5	60.5	60.5	85.5									
AS .. 67	44.5	50	69	69	81	81	93							
AS .. 77	44.5	50	70	70	75	75	96.5	125						
AS .. 87			70	70	82	82	92	130	130					
AS .. 97			65	65	81.5	81.5	92	125	125					
AS .. 100					68	68	106	126	126	140				

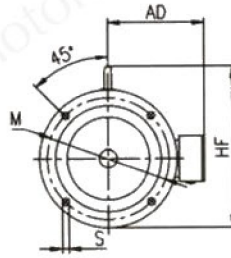
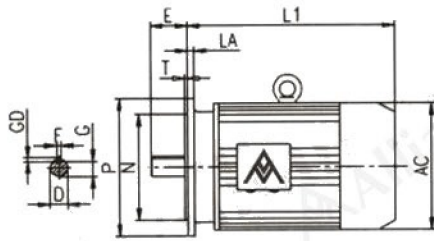
**AK Series**

	63	71	80	90	100	112	132	160	180	200	225	250	280	315
AK .. 37	45	50.5	60.5	60.5	85.5									
AK .. 47/57/67	44.5	50	69	69	81	81	93							
AK .. 77	44.5	50	70	70	75	75	96.5	125						
AK .. 87			70	70	82	82	92	130	130					
AK .. 97				65	81.5	81.5	92	125	125	152				
AK .. 107					68	68	106	126	126	140	170			
AK .. 127							98.5	120	120	139	169	192.5	192.5	
AK .. 157/167/187								115	115	160	170	192.5	192.5	260

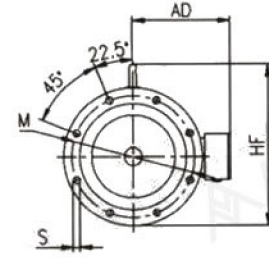
**AF Series**

	63	71	80	90	100	112	132	160	180	200	225	250	280	315
AF .. 37/47	45	50.5	60.5	60.5	85.5									
AF .. 57/67	44.5	50	69	69	81	81	93							
AF .. 77	44.5	50	70	70	75	75	96.5	125						
AF .. 87			70	70	82	82	92	130	130					
AF .. 97				65	81.5	81.5	92	125	125	152				
AF .. 107					68	68	106	126	126	140	170			
AF .. 127							98.5	120	120	139	169	192.5	192.5	
AF .. 157								115	115	160	170	192.5	192.5	260

■ Mounting Dimensional AK-AM (Standard)



63-200



225-280

**Dimensions of Y2 Series Motors**

Frame size	Mounting Dimensions																		
	D		E		FxGD		G		M	N	P	S	T	AC	AD	LA	HF	L1	
	2P	4-10P	2P	4-10P	2P	4-10P	2P	4-10P										2P	4-10P
63M	11		23		4X4		8.5		115	95	140	10	3	130	70	10	130	207	
71M	14		30		5X5		11		130	110	160			145	80	10	145	225	
80M	19		40		6X6		15.5		165	130	200	12	3.5	175	145	12	185	255	
90S	24		50		8X7		20							195	155	12	195	270	
90L	24		50				20		195	155	12	195	295						
100L	28		60		10X8		24		215	180	250	15	4	215	180	14	245	325	
112M	28		60				24							215	180	250	15	4	240
132S	38		80		10X8		33		265	230	300	15	4	275	210	14	315	390	
132M	38		80				33							265	230	300	15	4	275
160M	42		110		12X8		37		300	250	350	19	5	330	255	16	385	505	
160L	42				12X8		37							300	250	350	16	385	560
180M	48		110		14X9		42.5		380	280	18	430	18	380	280	18	430	590	
180L	48				14X9		42.5							380	280	18	430	630	
200L	55		140		16X10		49		350	300	400	19	5	420	305	18	480	660	
225S	60				16X10		18X11							53		400	350	450	470
225M	55	60	110	140	16X10	18X11	49	53	400	350	450	19	5	470	335	20	535	710	705
250M	60	65	140		18X11		53	58	500	450	550	19	5	510	370	22	595	770	
280S	65	75			18X11	20X12	58	67.5						500	450	550	22	650	845
280M	65	75	140		18X11	20X12	58	67.5	500	450	550	19	5	580	410	22	650	895	
315S	65	80	140	170	18X11	22X14	58	71	600	550	660	24	6	645	530	25	845	1020	1100
315M																25		1050	1130
315L <sub>1</sub>	65	80	140	170	18X11	22X14	58	71	600	550	660	24	6	645	530	25	845	1020	1100
315L <sub>2</sub>																25		1050	1130