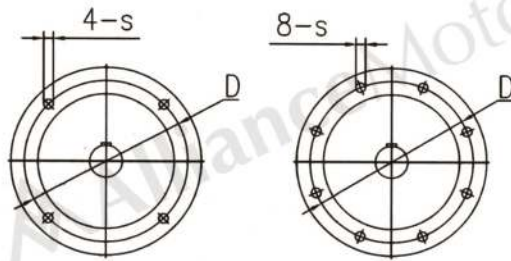
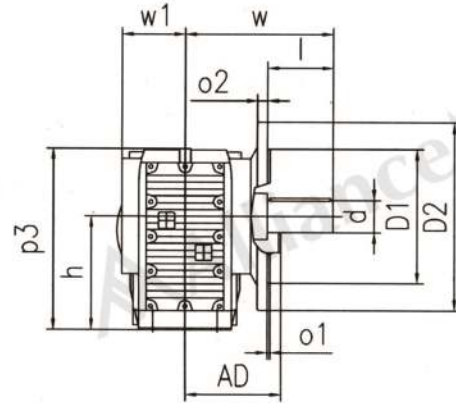
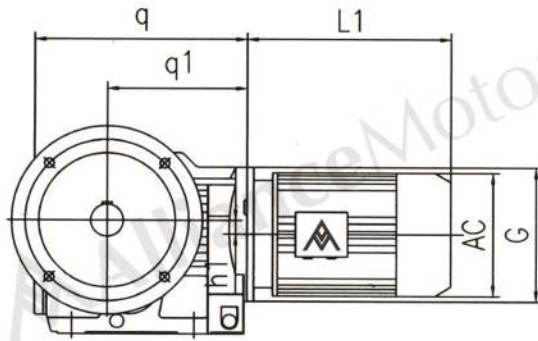
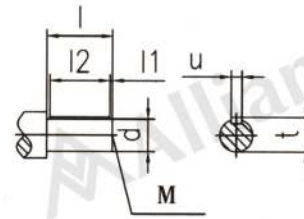


G.04 Mounting Dimensional Description - AKF37 - 157



AKF37 - 87

AKF97 - 157



Specification	s o ₂	q w	q ₁ w ₁	h ₁ l	D l ₁	D ₁ l ₂	D ₂ d	h M	p ₃ u	o ₁ t	G	Motor Size			
												AC	AD	L1	
AKF37	Φ9 10	210 134	139 57.5	8.5 50	Φ130 5	Φ110j6 40	Φ160 Φ25k6	100 ^{-0.5} M10	164 8	3.5 28	Φ120	Please see appendix A-2			
AKF47	Φ11 10	243 160	166 72	7.2 60	Φ165 3.5	Φ130j6 50	Φ200 Φ30k6	112 ^{-0.5} M10	185 8	3.5 33	Φ160				
AKF57	Φ13.5 15	269 176.5	173 80	13.1 70	Φ215 7	Φ180j6 56	Φ250 Φ35k6	132 ^{-0.5} M12	215 10	4 38	Φ160				
AKF67	Φ13.5 15	274 193	179 86.5	20 80	Φ215 5	Φ180j6 70	Φ250 Φ40k6	140 ^{-0.5} M16	226 12	4 43	Φ160				
AKF77	Φ13.5 16	312 242	202 101	31.3 100	Φ265 10	Φ230j6 80	Φ300 Φ50k6	180 ^{-0.5} M16	286 14	4 53.5	Φ200				
AKF87	Φ17.5 18	390 270	257 116	25.9 120	Φ300 5	Φ250h6 110	Φ350 Φ60m6	212 ^{-0.5} M20	338 18	5 64	Φ250				
AKF97	Φ17.5 22	435 332	277 171	32.3 140	Φ400 7.5	Φ350h6 125	Φ450 Φ70m6	265 ⁻¹ M20	414 20	5 74.5	Φ300				
AKF107	Φ17.5 22	537 386	341 175	52 170	Φ400 5	Φ350h6 160	Φ450 Φ90m6	315 ⁻¹ M24	500 25	5 95	Φ350				
AKF127	Φ17.5 25	615 466	390 203	53 210	Φ500 15	Φ450h6 180	Φ550 Φ110m6	375 ⁻¹ M24	592 28	5 116	Φ450				
AKF157	Φ22 28	706 520	426 253	71.7 210	Φ600 5	Φ550h6 200	Φ660 Φ120m6	450 ⁻¹ M24	705 32	6 127	Φ550				

Note: When equipping the user's motor or the special one, the flange is required to be connected. (Please see appendix D)