

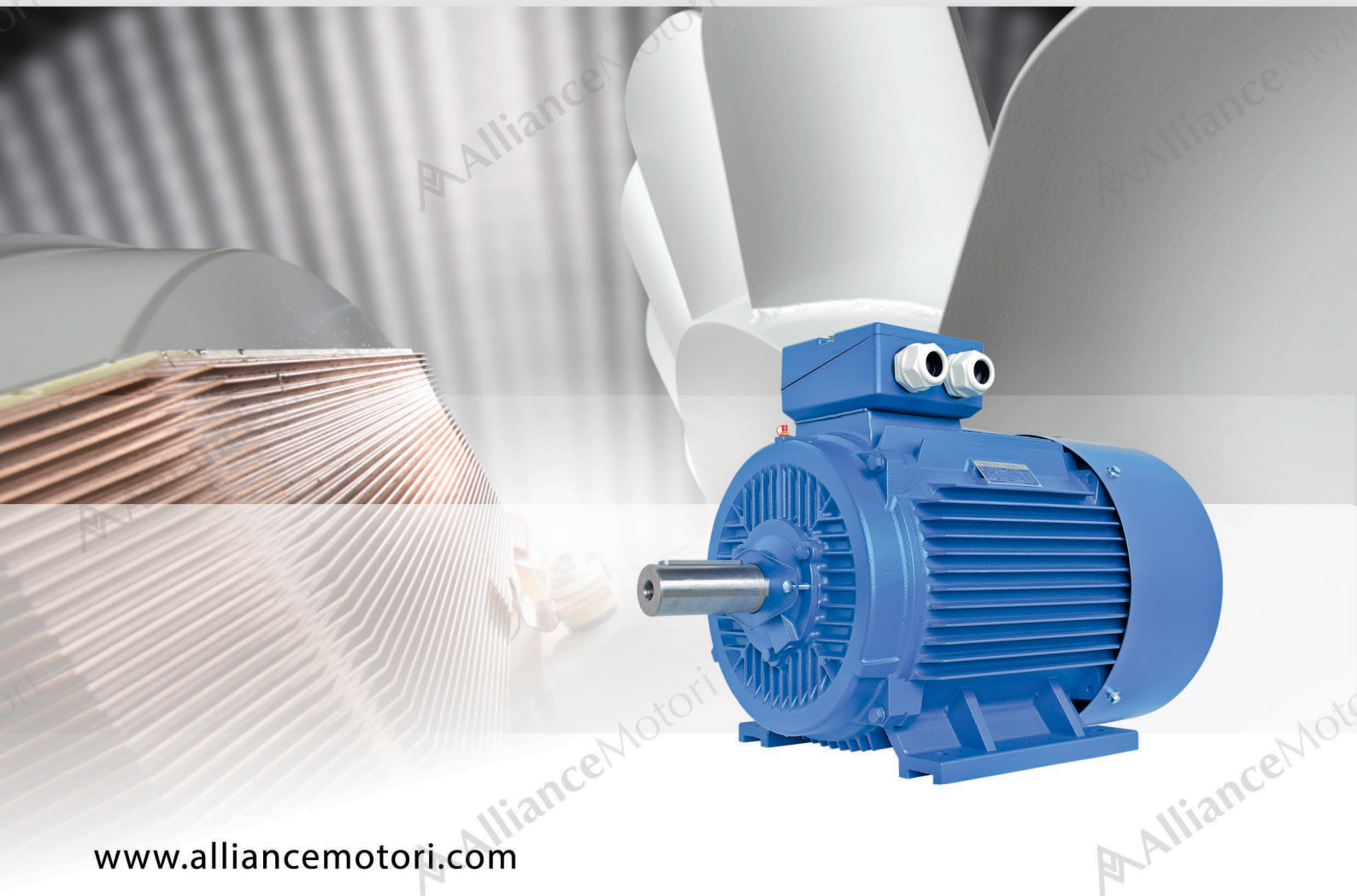


AllianceMotori
eco-drive

IE4

A-YE4 Series

■ Three-phase Asynchronous Motor



www.alliancemotori.com

A-YE4 - IE4 Series Three-Phase Asynchronous Motor

PERFORMANCE PARAMETERS

THREE PHASE ASYNCHRONOUS MOTOR

A-YE4

TECHNICAL DATA OF A-YE4 SERIES

2 Pole, 3000 r/min Synchronous Speed

NO.	Frame reference and size	Rated power		Full load current at rated voltage			Full load speed in revolutions per minute	Direct on line starting torque ratio	Direct on line pull out torque ratio	Direct on line starting current ratio	Efficiency	Power factor	Meansound pressure level @1m on no load	Weight	Rotor inertia WK ²
		Power		Amps (A)											
	Type	kW	HP	380V	400V	415V	r/min	RLT	RLT	RLA	(%)				
1	YE4-80M1-2	0.75	1	1.7	1.6	1.5	2890	2.2	2.3	8.5	83.5	0.83	62	24	0.00111
2	YE4-80M2-2	1.1	1.5	2.4	2.2	2.2	2890	2.2	2.3	8.5	85.2	0.83	62	25	0.00145
3	YE4-90S-2	1.5	2	3.1	3	2.9	2890	2.2	2.3	9.0	86.5	0.85	67	27	0.00221
4	YE4-90L-2	2.2	3	4.5	4.2	4.1	2895	2.2	2.3	9.0	88	0.86	67	32	0.00288
5	YE4-100L-2	3	4	5.9	5.6	5.4	2895	2.2	2.3	9.5	89.1	0.87	74	40	0.00466
6	YE4-112M-2	4	5.5	7.7	7.3	7	2915	2.2	2.3	9.5	90	0.88	77	63	0.00644
7	YE4-132S1-2	5.5	7.5	10.4	9.9	9.6	2940	2.0	2.3	9.5	90.9	0.88	79	75	0.01420
8	YE4-132S2-2	7.5	10	14.1	13.4	12.9	2940	2.0	2.3	9.5	91.7	0.89	79	81	0.01675
9	YE4-160M1-2	11	15	20.3	19.3	18.6	2950	2.0	2.3	9.5	92.6	0.89	81	129	0.05506
10	YE4-160M2-2	15	20	27.4	26.1	25.1	2950	2.0	2.3	9.5	93.3	0.89	81	139	0.06299
11	YE4-160L2	18.5	25	33.7	32	30.9	2950	2.0	2.3	9.5	93.7	0.89	81	165	0.07305
12	YE4-180M-2	22	30	40	38	36.6	2960	2.0	2.3	9.5	94	0.89	83	206	0.09103
13	YE4-200L1-2	30	40	54.2	51.5	49.6	2970	2.0	2.3	9.0	94.5	0.89	84	264	0.18362
14	YE4-200L2-2	37	50	66.6	63.3	61	2970	2.0	2.3	9.0	94.8	0.89	84	282	0.19378
15	YE4-225M-2	45	60	80	76	73.2	2970	2.0	2.3	9.0	95	0.89	86	366	0.34021
16	YE4-250M-2	55	75	97	92.6	89.2	2980	2.0	2.3	9.0	95.3	0.89	89	401	0.47312
17	YE4-280S-2	75	100	132	126	121	2980	1.8	2.3	8.5	95.6	0.89	91	548	1.11065
18	YE4-280M-2	90	125	159	151	145	2980	1.8	2.3	8.5	95.8	0.89	91	595	1.17163
19	YE4-315S-2	110	150	193	184	177	2980	1.8	2.3	8.5	96	0.89	92	878	1.52512
20	YE4-315M-2	132	180	232	220	212	2980	1.8	2.3	8.5	96.2	0.89	92	967	2.15291
21	YE4-315L1-2	160	200	277	264	254	2980	1.8	2.2	8.5	96.3	0.89	92	1040	2.44178
22	YE4-315L2-2	200	20	346	329	31	2980	1.8	2.2	8.5	96.5	0.89	92	1134	2.70677
23	YE4-355M-2	250	340	433	411	396	2980	1.6	2.2	8.5	96.5	0.91	97	1683	3.41190
24	YE4-355L-2	315	430	545	518	499	2980	1.6	2.2	8.5	96.5	0.91	97	1880	3.98055

Note. Data May Change Without Notice

A-YE4

TECHNICAL DATA OF A-YE4 SERIES

4 Pole, 1500 r/min Synchronous Speed

NO.	Frame reference and size	Rated power		Full load current at rated voltage			Full load speed in revolutions per minute	Direct on line starting torque ratio	Direct on line pull out torque ratio	Direct on line starting current ratio	Efficiency	Power factor	Meansound pressure level @1m on no load	Weight	Rotor inertia WK ²
		kW	HP	380V	400V	415V									
	Type	Power		Amps (A)			Speed	LRT	BDT	LRA	η (%)	Power factor (cosφ)	Noise LwdB(A)	Weight kg	J kgm ²
1	YE4-80M2-4	0.75	1	1.8	1.7	1.6	1430	2.3	2.3	8.5	85.7	0.74	56	26	0.00275
2	YE4-90S-4	1.1	1.5	2.5	2.4	2.3	1445	2.3	2.3	8.5	87.2	0.75	59	27	0.00333
3	YE4-90L-4	1.5	2	3.4	3.2	3.1	1445	2.3	2.3	9.0	88.2	0.76	59	30	0.00422
4	YE4-100L1-4	2.2	3	4.6	4.4	4.2	1460	2.3	2.3	9.0	89.5	0.79	64	41	0.00854
5	YE4-100L2-4	3	4	6.1	5.8	5.6	1460	2.3	2.3	9.5	90.4	0.80	64	46	0.01032
6	YE4-112M-4	4	5.5	8.1	7.7	7.4	1460	2.3	2.3	9.5	91.1	0.80	65	62	0.01420
7	YE4-132S-4	5.5	7.5	11	10.4	10	1470	2.0	2.3	9.5	91.9	0.80	71	86	0.03162
8	YE4-132M-4	7.5	10	14.6	13.9	13.4	1470	2.0	2.3	9.5	92.6	0.81	71	96	0.04061
9	YE4-160M-4	11	15	21.1	20	19.3	1470	2.0	2.3	9.5	93.3	0.83	73	139	0.08689
10	YE4-160L-4	15	20	28.2	26.8	25.8	1470	2.0	2.3	9.5	93.9	0.84	73	163	0.11381
11	YE4-180M-4	18.5	25	34.7	33	31.8	1475	2.0	2.3	9.5	94.2	0.85	76	199	0.17122
12	YE4-180L-4	22	30	41.1	39.1	37.7	1475	2.0	2.3	9.5	94.5	0.85	76	224	0.21065
13	YE4-200L-4	30	40	55.8	53.1	51.1	1480	2.0	2.3	9.0	94.9	0.85	76	284	0.32100
14	YE4-225S-4	37	50	68.7	65.2	62.9	1485	2.0	2.3	9.0	95.2	0.85	78	350	0.53287
15	YE4-225M-4	45	60	83.3	79.2	76.3	1485	2.0	2.3	9.0	95.4	0.85	78	380	0.62401
16	YE4-250M-4	55	75	102	96.5	93	1485	2.0	2.3	9.0	95.7	0.86	79	442	0.84594
17	YE4-280S-4	75	100	135	128	124	1485	2.0	2.3	8.5	96	0.87	80	612	2.16232
18	YE4-280M-4	90	125	162	154	148	1485	2.0	2.3	8.5	96.1	0.88	80	697	2.61466
19	YE4-315S-4	110	150	195	185	179	1485	1.8	2.2	8.5	96.3	0.89	88	940	3.69850
20	YE4-315M-4	132	180	234	222	214	1485	1.8	2.2	8.5	96.4	0.89	88	1040	4.29444
21	YE4-315L1-4	160	200	283	269	259	1485	1.8	2.2	8.5	96.6	0.90	88	1142	4.69705
22	YE4-315L2-4	200	20	357	339	327	1485	1.8	2.2	8.5	96.7	0.90	88	1218	5.37943
23	YE4-355M-4	250	340	446	424	409	1490	1.8	2.2	8.5	96.7	0.90	92	1663	7.39245
24	YE4-355L-4	315	430	562	534	515	1490	1.8	2.2	8.5	96.7	0.90	92	1816	9.32586

Note. Data May Change Without Notice

PERFORMANCE PARAMETERS

THREE PHASE ASYNCHRONOUS MOTOR

A-YE4

TECHNICAL DATA OF A-YE4 SERIES

6 Pole, 1000 r/min Synchronous Speed

NO	Frame reference and size	Rated power		Full load current at rated voltage			Full load speed in revolutions per minute	Direct on line starting torque ratio	Direct on line pull out torque ratio	Direct on line starting current ratio	Efficiency	Power factor	Meansound pressure level @1m on no load	Weight	Rotor inertia WK ²
		kW	HP	380V	400V	415V									
	Type	Power		Amps (A)			Speed	LRT	BDT	LRA	η	Power factor (cos ϕ)	Noise LwdB(A)	Weight kg	J
		kW	HP	380V	400V	415V	r/min	RLT	RLT	RLA	(%)				kgm ²
1	YE4-90S-6	0.75	1	1.9	1.8	1.8	955	2.1	2.1	7.5	82.7	0.70	57	26	0.00422
2	YE4-90L-6	1.1	1.5	2.7	2.6	2.5	955	2.1	2.1	7.5	84.5	0.70	57	32	0.00588
3	YE4-100L-6	1.5	2	3.6	3.5	3.3	955	2.1	2.1	7.5	85.9	0.71	61	40	0.01188
4	YE4-112M-6	2.2	3	5.2	4.9	4.7	965	2.1	2.1	7.5	87.4	0.71	65	50	0.01675
5	YE4-132S-6	3	4	7.0	6.6	6.4	970	2.0	2.1	7.5	88.6	0.71	69	66	0.03529
6	YE4-132M1-6	4	5.5	9.1	8.6	8.3	970	2.0	2.1	8.0	89.5	0.72	69	75	0.04372
7	YE4-132M2-6	5.5	7.5	12.1	11.5	11.1	970	2.0	2.1	8.0	90.5	0.72	69	83	0.05481
8	YE4-160M-6	7.5	10	15.8	15	14.5	980	2.0	2.1	8.0	91.3	0.76	73	126	0.10856
9	YE4-160L-6	11	15	22.6	21.5	20.7	980	2.0	2.1	8.5	92.3	0.77	73	163	0.14307
10	YE4-180L-6	15	20	30.3	28.8	27.7	980	2.0	2.1	8.5	92.9	0.80	73	215	0.25544
11	YE4-200L1-6	18.5	25	37.2	35.3	34	985	2.0	2.1	8.5	93.4	0.80	73	265	0.37729
12	YE4-200L2-6	22	30	44.0	41.8	40.3	985	2.0	2.1	8.5	93.7	0.81	74	288	0.42911
13	YE4-225M-6	30	40	58.3	55.4	53.4	985	2.0	2.1	8.3	94.2	0.82	76	400	0.63607
14	YE4-250M-6	37	50	70.8	67.3	64.8	990	2.0	2.1	8.3	94.5	0.83	78	424	0.98790
15	YE4-280S-6	45	60	84.8	80.6	77.7	990	2.0	2.0	8.5	94.8	0.83	78	532	1.95011
16	YE4-280M-6	55	75	102	97	94	990	2.0	2.0	8.5	95.1	0.84	78	597	2.38793
17	YE4-315S-6	75	100	139	132	127	990	1.6	2.0	8.0	95.4	0.84	83	807	4.67430
18	YE4-315M-6	90	125	166	158	152	990	1.6	2.0	8.0	95.6	0.85	83	919	5.43629
19	YE4-315L1-6	110	150	203	193	186	990	1.6	2.0	8.0	95.8	0.85	83	1029	6.19829
20	YE4-315L2-6	132	180	243	231	222	990	1.6	2.0	8.0	96	0.86	83	1124	6.96028
21	YE4-355M1-6	160	200	294	279	269	990	1.6	2.0	8.0	95.2	0.86	85	1522	10.80435
22	YE4-355M2-6	200	20	363	345	332	990	1.6	2.0	8.0	96.3	0.86	85	1663	11.82792
23	YE4-355L-6	250	340	452	430	414	990	1.6	2.0	8.0	96.5	0.86	85	1846	14.10252

Note. Data May Change Without Notice

A-YE4

TECHNICAL DATA OF A-YE4 SERIES

8 Pole, 750 r/min Synchronous Speed

NO	Frame reference and size Type	Rated power		Full load current at rated voltage			Full load speed in revolutions per minute Speed r/min	Direct on line starting torque ratio LRT RLT	Direct on line pull out torque ratio BDT RLT	Direct on line starting current ratio LRA RLA	Efficiency η (%)	Power factor $\cos\phi$	Meansound pressure level @1m on no load Noise LwdB(A)	Weight kg	Rotor inertia WK ² J kgm ²
		kW	HP	380V	400V	415V									
1	YE4-100L1-8	0.75	1	2.1	2.0	1.9	700	2.0	2.0	7.0	78.4	0.66	59	34	0.01037
2	YE4-100L2-8	1.1	1.5	3.0	2.8	2.7	700	2.0	2.0	7.0	80.8	0.67	59	36	0.01268
3	YE4-112M-8	1.5	2	3.9	3.7	3.6	710	2.0	2.0	7.0	82.6	0.69	61	48	0.02824
4	YE4-132S-8	2.2	3	5.5	5.2	5.0	720	1.8	2.0	7.5	84.5	0.70	64	72	0.03619
5	YE4-132M-8	3	4	7.2	6.8	6.6	720	1.8	2.0	7.8	85.9	0.70	64	87	0.04553
6	YE4-160M1-8	4	5.5	9.5	9.0	8.7	730	1.8	2.0	7.9	87.1	0.71	68	122	0.08679
7	YE4-160M2-8	5.5	7.5	12.7	12.0	11.6	730	1.8	2.0	8.1	88.3	0.72	68	137	0.10731
8	YE4-160L-8	7.5	10	16.9	16	15.4	730	1.8	2.0	7.8	89.3	0.74	68	163	0.14523
9	YE4-180L-8	11	15	24.1	22.9	22.1	735	1.8	2.0	7.9	90.4	0.74	70	216	0.23398
10	YE4-200L-8	15	20	32.6	30.9	29.8	735	1.8	2.0	8.0	91.2	0.75	73	277	0.39073
11	YE4-225S-8	18.5	25	39.4	37.4	36	735	1.8	2.0	8.1	91.7	0.75	73	321	0.56593
12	YE4-225M-8	22	30	46.1	43.8	42.2	735	1.8	2.0	8.3	92.1	0.76	73	341	0.63047
13	YE4-250M-8	30	40	61.6	58.5	56.4	735	1.8	2.0	7.9	92.7	0.77	75	435	0.96127
14	YE4-280S-8	37	50	75.6	71.8	69.2	740	1.8	2.0	7.9	93.1	0.78	76	572	1.90179
15	YE4-280M-8	45	60	91.7	87.1	83.9	740	1.8	2.0	7.9	93.4	0.78	76	661	2.22452
16	YE4-315S-8	55	75	109	103	100	740	1.6	2.0	8.2	93.7	0.80	82	1000	5.52095
17	YE4-315M-8	75	100	148	140	135	740	1.6	2.0	7.6	94.2	0.80	82	1094	6.43151
18	YE4-315L1-8	90	125	175	166	160	740	1.6	2.0	7.7	94.4	0.81	82	1206	7.34206
19	YE4-315L2-8	110	150	213	202	195	740	1.6	2.0	7.7	94.7	0.81	82	1311	8.33330
20	YE4-355M1-8	132	180	255	242	234	740	1.6	2.0	7.7	94.9	0.81	89	2346	9.10554
21	YE4-355M2-8	160	200	308	293	282	740	1.6	2.0	7.7	95.1	0.82	89	2522	11.87178
22	YE4-355L-8	200	20	392	373	359	740	1.6	2.0	7.8	95.4	0.82	89	2640	14.17698

Note. Data May Change Without Notice

DIMENSIONS MOUNT

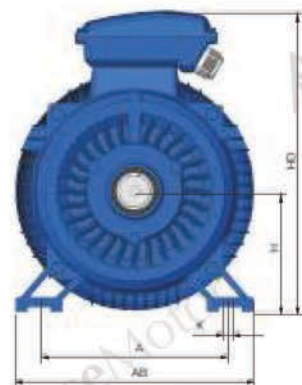
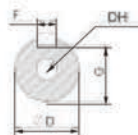
THREE PHASE ASYNCHRONOUS MOTOR

A-YE4

MOUNTING DATA OF A-YE4 SERIES



80-355



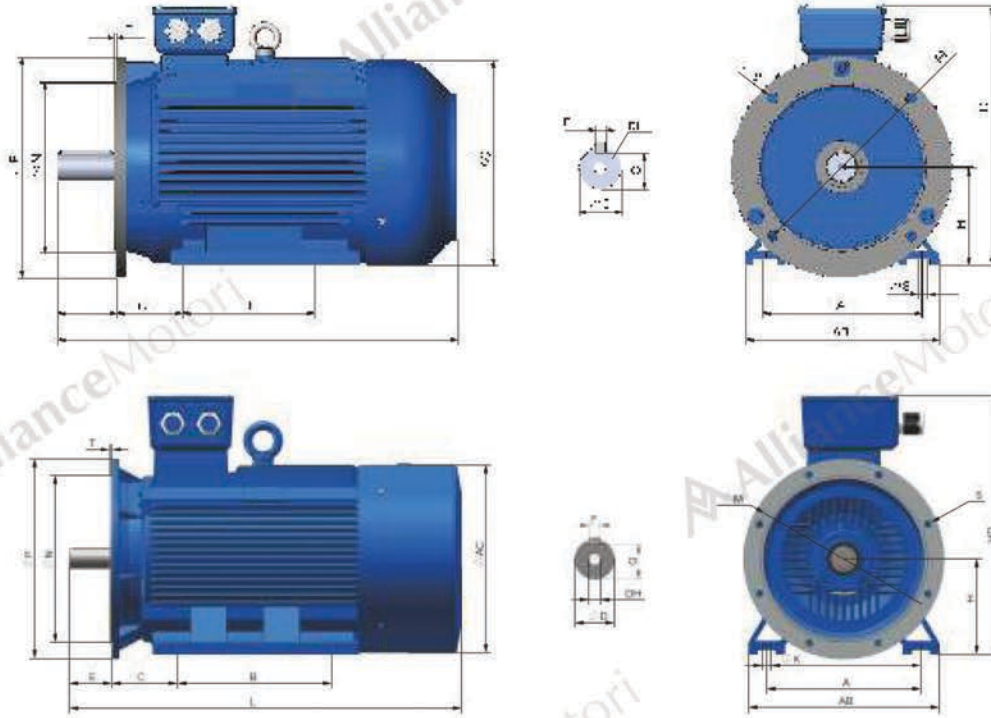
80-355

FRAME WITH FEET AND END-SHIELD WITHOUT FLANGE (IM B3)

FRAME SIZE	POLES	A	A/2	B	C	D	E	F	G	H	K	AB	AC	AD	HD	L	DH*
80M	2 4 6	125	62.5	100	50	19	40	6	15.5	80	10	165	158	140	220	300	M6X16
90S	2 4 6	140	70	100	56	24	50	8	20	90	10	180	177	160	255	350	M8X19
90L	2 4 6	140	70	125	56	24	50	8	20	90	10	180	177	160	255	385	M8X19
10I	2 4 6	160	80	140	63	28	60	8	24	100	12	205	198	172	270	400	M10X22
112M	2 4 6	190	95	140	70	28	60	8	24	112	12	226	235	193	300	425	M10X22
132S	2 4 6	216	108	140	89	38	80	10	33	132	12	262	293	225	349	502	M12X28
132M	2 4 6	216	108	178	89	38	80	10	33	132	12	262	293	225	349	533	M12X28
160M	2 4 6	254	127	210	108	42	110	12	37	160	15	320	315	255	420	660	M16X36
160L	2 4 6	254	127	254	108	42	110	12	37	160	15	320	315	255	420	730	M16X36
180M	2 4 6	279	139.5	241	121	48	110	14	42.5	180	15	355	355	280	455	740	M16X36
180L	2 4 6	279	139.5	279	121	48	110	14	42.5	180	15	355	355	280	455	810	M16X36
200L	2 4 6	318	159	305	133	55	110	16	49	200	19	395	397	305	505	852	M20X42
225S	4	356	178	286	149	60	140	18	53	225	19	435	445	335	560	874	M20X42
225M	2	356	178	311	149	55	110	16	49	225	19	435	445	335	560	890	M20X42
	4 6	356	178	311	149	60	140	18	53	225	19	435	445	335	560	915	M20X42
250M	2	406	203	349	168	60	140	18	53	250	24	490	485	370	615	985	M20X42
	4 6	406	203	349	168	65	140	18	58	250	24	490	485	370	615	985	M20X42
280S	2	457	228.5	368	190	65	140	18	58	280	24	550	547	410	680	1045	M20X42
	4 6	457	228.5	368	190	75	140	20	67.5	280	24	550	547	410	680	1045	M20X42
280M	2	457	228.5	419	190	65	140	18	58	280	24	550	547	410	680	1095	M20X42
	4 6	457	228.5	419	190	75	140	20	67.5	280	24	550	547	410	680	1095	M20X42
315S	2	508	254	406	216	65	140	18	58	315	28	635	620	530	845	1185	M20X42
	4 6	508	254	406	216	80	170	22	71	315	28	635	620	530	845	1220	M20X42
315M	2	508	254	457	216	65	140	18	58	315	28	635	620	530	845	1290	M20X42
	4 6	508	254	457	216	80	170	22	71	315	28	635	620	530	845	1325	M20X42
315L	2	508	254	508	216	65	140	18	58	315	28	635	620	530	845	1290	M20X42
	4 6	508	254	508	216	80	170	22	71	315	28	635	620	530	845	1325	M20X42
355M	2	610	305	560	254	75	140	20	67.5	355	28	730	698	655	1010	1500	M20X42
	4 6	610	305	560	254	95	170	25	86	355	28	730	698	655	1010	1530	M20X42
355L	2	610	305	630	254	75	140	20	67.5	355	28	730	698	655	1010	1500	M20X42
	4 6	610	305	630	254	95	170	25	86	355	28	730	698	655	1010	1530	M20X42

A-YE4

MOUNTING DATA OF A-YE4 SERIES



FRAME WITH FEET AND END-SHIELD WITH FLANGE (IM B35)

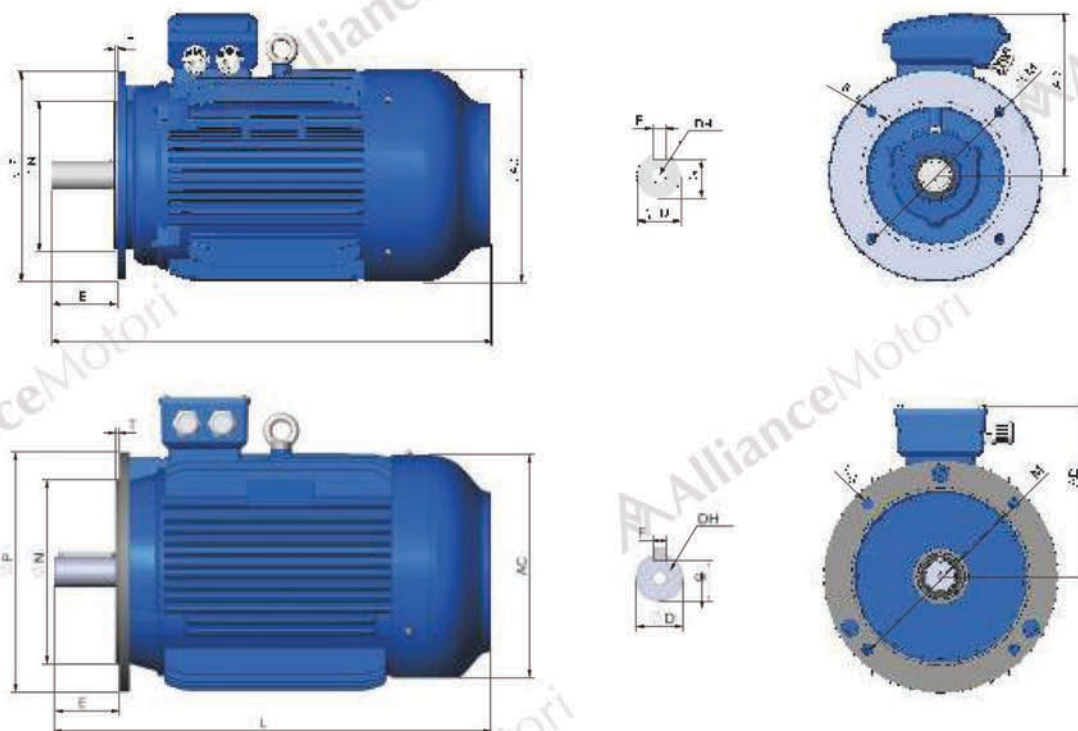
FRAME SIZE	POLES	A	A/2	B	C	D	E	F	G	H	K	M	N	P	S	T	FLANGE HOLES	AB	AC	AD	HD	L	DH*
80M	2 4 6	125	62.5	100	50	19	40	60	15.5	80	10	165	130	200	12	3.5	4	165	158	140	220	300	M6X16
90S	2 4 6	140	70	100	56	24	50	8	20	90	10	165	130	200	12	3.5	4	180	177	160	255	350	M8X19
90L	2 4 6	140	70	125	56	24	50	8	20	90	10	165	130	200	12	3.5	4	180	177	160	255	385	M8X19
100L	2 4 6	160	80	140	63	28	60	8	24	100	12	215	180	250	15	4	4	205	198	172	270	400	M10X22
112M	2 4 6	190	95	140	70	28	60	8	24	112	12	215	180	250	15	4	4	226	235	193	300	425	M10X22
132S	2 4 6	216	108	140	89	38	80	10	33	132	12	265	230	300	15	4	4	262	293	225	349	502	M12X28
132M	2 4 6	216	108	178	89	38	80	10	33	132	12	265	230	300	15	4	4	262	293	225	349	533	M12X28
160M	2 4 6	254	127	210	108	42	110	12	37	160	15	300	250	350	19	5	4	320	315	255	420	660	M16X36
160L	2 4 6	254	127	254	108	42	110	12	37	160	15	300	250	350	19	5	4	320	315	255	420	730	M16X36
180M	2 4 6	279	139.5	241	121	48	110	14	42.5	180	15	300	250	350	19	5	4	355	355	280	455	740	M16X36
180L	2 4 6	279	139.5	279	121	48	110	14	42.5	180	15	300	250	350	19	5	4	355	355	280	455	810	M16X36
200L	2 4 6	318	159	305	133	55	110	16	49	200	19	350	300	400	19	5	4	395	397	305	505	852	M20X42
225S	4	356	178	286	149	60	140	18	53	225	19	400	350	450	19	5	8	435	445	335	560	874	M20X42
225M	2	356	178	311	149	55	110	16	49	225	19	400	350	450	19	5	8	435	445	335	560	890	M20X42
	4 6	356	178	311	149	60	140	18	53	225	19	400	350	450	19	5	8	435	445	335	560	915	M20X42
250M	2	406	203	349	168	60	140	18	53	250	24	500	450	550	19	5	8	490	485	370	615	985	M20X42
	4 6	406	203	349	168	65	140	18	58	250	24	500	450	550	19	5	8	490	485	370	615	985	M20X42
280S	2	457	228.5	368	190	65	140	18	58	280	24	500	450	550	19	5	8	550	547	410	680	1045	M20X42
	4 6	457	228.5	368	190	75	140	20	67.5	280	24	500	450	550	19	5	8	550	547	410	680	1045	M20X42
280M	2	457	228.5	419	190	65	140	18	58	280	24	500	450	550	19	5	8	550	547	410	680	1095	M20X42
	4 6	457	228.5	419	190	75	140	20	67.5	280	24	500	450	550	19	5	8	550	547	410	680	1095	M20X42
315S	2	508	254	406	216	65	140	18	58	315	28	600	550	660	24	6	8	635	620	530	845	1185	M20X42
	4 6	508	254	406	216	80	170	22	71	315	28	600	550	660	24	6	8	635	620	530	845	1220	M20X42
315M	2	508	254	457	216	65	140	18	58	315	28	600	550	660	24	6	8	635	620	530	845	1290	M20X42
	4 6	508	254	457	216	80	170	22	71	315	28	600	550	660	24	6	8	635	620	530	845	1325	M20X42
315L	2	508	254	508	216	65	140	18	58	315	28	600	550	660	24	6	8	635	620	530	845	1290	M20X42
	4 6	508	254	508	216	80	170	22	71	315	28	600	550	660	24	6	8	635	620	530	845	1325	M20X42
355M	2	610	305	560	254	75	140	20	67.5	355	28	740	680	800	24	6	8	730	698	655	1010	1500	M20X42
	4 6	610	305	560	254	95	170	25	86	355	28	740	680	800	24	6	8	730	698	655	1010	1530	M20X42
355L	2	610	305	630	254	75	140	20	67.5	355	28	740	680	800	24	6	8	730	698	655	1010	1500	M20X42
	4 6	610	305	630	254	95	170	25	86	355	28	740	680	800	24	6	8	730	698	655	1010	1530	M20X42

DIMENSIONS MOUNT

THREE PHASE ASYNCHRONOUS MOTOR

A-YE4

MOUNTING DATA OF A-YE4 SERIES

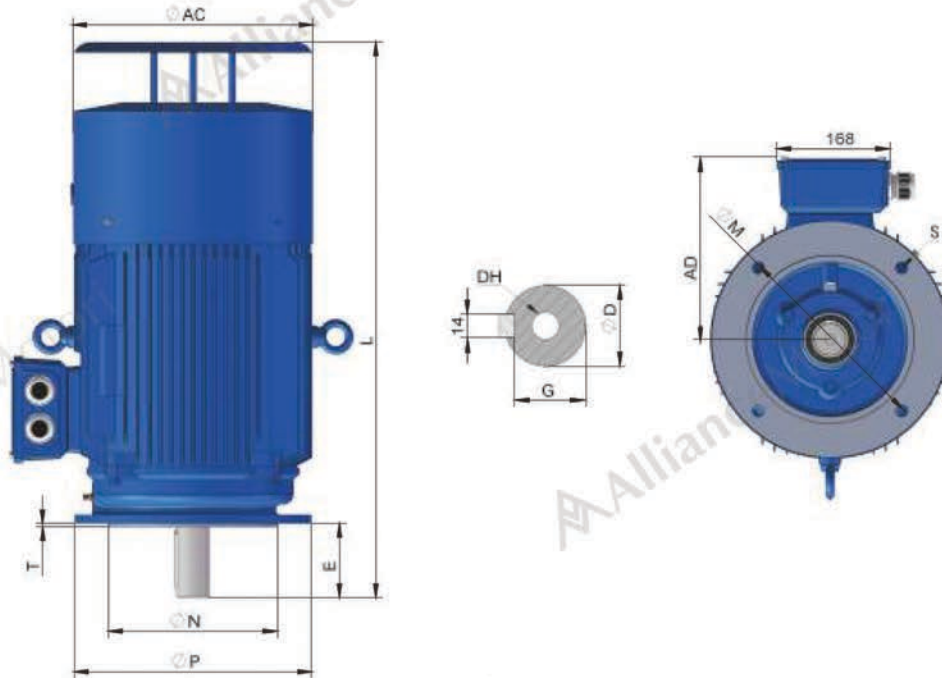


FRAME WITH FEET AND END-SHIELD WITH FLANGE (IM B55)

FRAME SIZE	POLES	D	E	F	G	M	N	P	S	T	FLANGE HOLES	AC	AD	HD	L	DH*
80M	2 4 6	19	40	6	15.5	165	130	200	12	3.5	4	158	140	240	300	M6X16
90S	2 4 6	24	50	8	20	165	130	200	12	3.5	4	177	160	260	350	M8X19
90L	2 4 6	24	50	8	20	165	130	200	12	3.5	4	177	160	260	385	M8X19
100L	2 4 6	28	60	8	24	215	180	250	15	4	4	198	172	300	425	M10X22
112M	2 4 6	28	60	8	24	215	180	250	15	4	4	235	193	315	502	M10X22
132S	2 4 6	38	80	10	33	265	230	300	15	4	4	293	225	349	533	M12X28
132M	2 4 6	38	80	10	33	265	230	300	15	4	4	293	225	349	660	M12X28
160M	2 4 6	42	110	12	37	300	250	350	19	5	4	315	255	385	730	M16X36
160L	2 4 6	42	110	12	37	300	250	350	19	5	4	315	255	385	740	M16X36
180M	2 4 6	48	110	14	42.5	300	250	350	19	5	4	355	280	430	810	M16X36
180L	2 4 6	48	110	14	42.5	300	250	350	19	5	4	355	280	430	852	M16X36
200L	2 4 6	55	110	16	49	350	300	400	19	5	4	397	305	480	874	M20X42
225S	4	60	140	18	53	400	350	450	19	5	8	445	335	535	890	M20X42
225M	2	55	110	16	49	400	350	450	19	5	8	445	335	535	915	M20X42
	4 6	60	140	18	53	400	350	450	19	5	8	445	335	535	985	M20X42
250M	2	60	140	18	53	500	450	550	19	5	8	485	370	595	985	M20X42
	4 6	65	140	18	58	500	450	550	19	5	8	485	370	595	1045	M20X42
280S	2	65	140	18	58	500	450	550	19	5	8	547	410	650	1045	M20X42
	4 6	75	140	20	67.5	500	450	550	19	5	8	547	410	650	1095	M20X42
280M	2	65	140	18	58	500	450	550	19	5	8	547	410	650	1095	M20X42
	4 6	75	140	20	67.5	500	450	550	19	5	8	547	410	650	400	M20X42
315S	2	65	140	18	58	600	550	660	24	6	8	620	530	845	1185	M20X42
	4 6	80	170	22	71	600	550	660	24	6	8	620	530	845	1220	M20X42
315M	2	65	140	18	58	600	550	660	24	6	8	620	530	845	1290	M20X42
	4 6	80	170	22	71	600	550	660	24	6	8	620	530	845	1325	M20X42
315L	2	65	140	18	58	600	550	660	24	6	8	620	530	845	1290	M20X42
	4 6	80	170	22	71	600	550	660	24	6	8	620	530	845	1325	M20X42
355M	2	75	140	20	67.5	740	680	800	24	6	8	698	655	1010	1500	M20X42
	4 6	95	170	25	86	740	680	800	24	6	8	698	655	1010	1530	M20X42
355L	2	75	140	20	67.5	740	680	800	24	6	8	698	655	1010	1500	M20X42
	4 6	95	170	25	86	740	680	800	24	6	8	698	655	1010	1530	M20X42

A-YE4

MOUNTING DATA OF A-YE4 SERIES



FRAME WITHOUT FEET AND END-SHIELD WITH FLANGE (WITH PLAIN HOLES) (IM V1)

FRAME SIZE	POLES	D	E	F	M	N	P	S	T	FLANGE HOLES	AC	AD	HF	L
160M	2 4 6	42	110	12	300	250	350	19	5	4	315	255	455	765
160L	2 4 6	42	110	12	300	250	350	19	5	4	315	255	455	810
180M	2 4 6	48	110	14	300	250	350	19	5	4	355	280	500	870
180L	2 4 6	48	110	14	300	250	350	19	5	4	355	280	500	900
200L	2 4 6	55	110	16	350	300	400	19	5	4	397	305	550	940
225S	4	60	140	18	400	350	450	19	5	8	445	335	610	965
225M	2	55	110	16	400	350	450	19	5	8	445	335	610	985
250M	4 6	60	140	18	400	350	450	19	5	8	445	335	610	1100
	2	60	140	18	500	450	550	19	5	8	485	370	650	1080
280S	4 6	65	140	18	500	450	550	19	5	8	485	370	650	1080
	2	65	140	18	500	450	550	19	5	8	547	410	720	1160
280M	4 6	75	140	20	500	450	550	19	5	8	547	410	720	1160
	2	65	140	18	500	450	550	19	5	8	547	410	720	1200
315S	4 6	75	140	20	500	450	550	19	5	8	547	410	900	1200
	2	65	140	18	600	550	660	24	6	8	620	530	900	1280
315M	4 6	80	170	22	600	550	660	24	6	8	620	530	900	1510
	2	65	140	18	600	550	660	24	6	8	620	530	900	1310
315L	4 6	80	170	22	600	550	660	24	6	8	620	530	900	1430
	2	65	140	18	600	550	660	24	6	8	620	530	900	1310
355M	4 6	80	170	22	600	550	660	24	6	8	620	530	900	1430
	2	75	140	20	740	680	800	24	6	8	698	655	1010	1640
355L	4 6	95	170	25	740	680	800	24	6	8	698	655	1010	1670
	2	75	140	20	740	680	800	24	6	8	698	655	1010	1640
	4 6	95	170	25	740	680	800	24	6	8	698	655	1010	1670

BEARING SIZE

THREE PHASE ASYNCHRONOUS MOTOR

A-YE4

BEARING SIZE

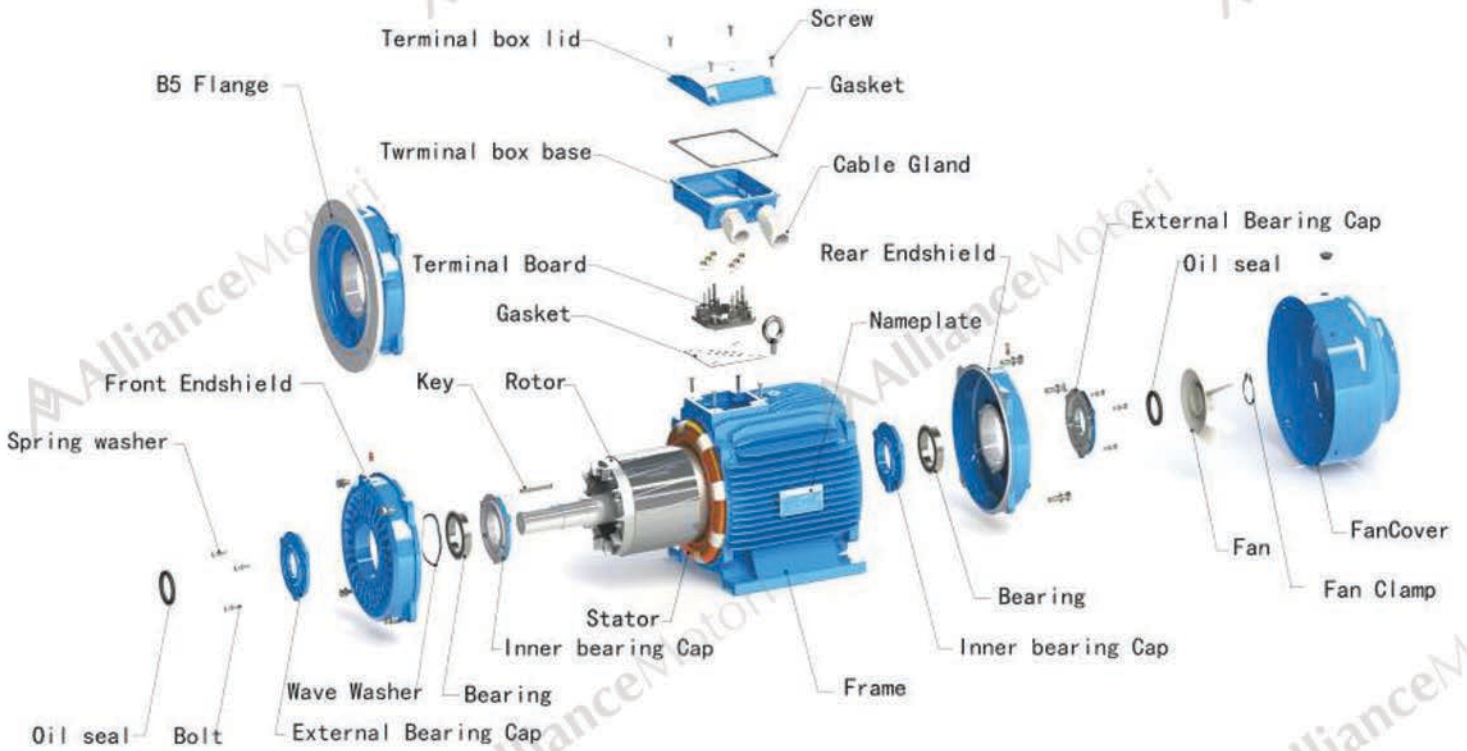
Frame Size	Poles	Drive End	Non-Drive End
80	2~4	6204-2RZ	6204-2RZ
90	2~6	6205-2RZ	6205-2RZ
100	2~6	6206-2RZ	6206-2RZ
112	2~6	6306-2RZ	6306-2RZ
132	2~6	6308-2RZ	6308-2RZ
160	2~6	6309-2RZC3	6309-2RZC3
180	2~6	6311 C3	6311 C3
200	2~6	6312 C3	6312 C3
225	2~6	6313 C3	6313 C3
250	2~6	6314 C3	6314 C3
280	2	6314 C3	6314 C3
	4~6	6317 C3	6317 C3
315	2	6317 C3	6317 C3
	4~6	NU319 C3	6319 C3
355	2	6319 C3	6319 C3
	4~6	NU322 C3	NU322 C3

MAIN DATA FOR TERMINAL BOX

Classified number	Frame size	Max.F.Amps	Entry hole size
1	H80	2.6	2×M20×1.5
2	H90-100	6.8	2×M25×1.5
3	H112-132	15.4	2×M32×1.5
4	H160-180	42.5	2×M40×1.5
5	H200-225	84.2	2×M50×1.5
6	H250-280	166.6	2×M63×1.5
7	H315	358	2×M63×1.5
8	H355	546	2×M63×1.5

A-YE4

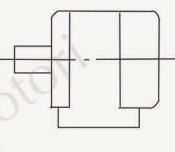
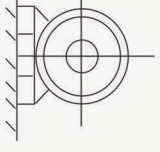
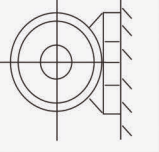

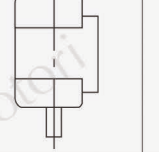
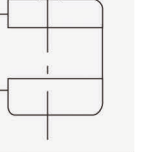
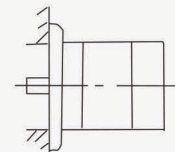
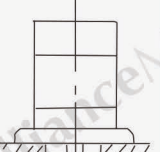
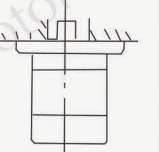
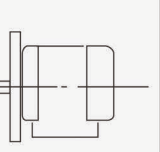
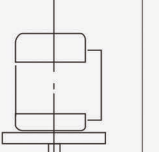
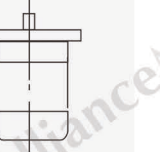
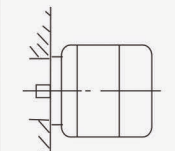
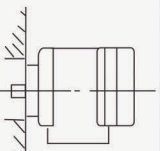
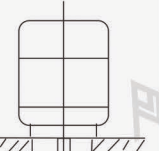
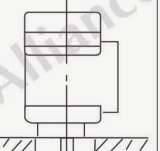
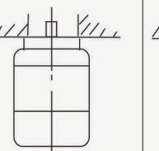
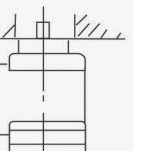
INSTALLATION DRAWING



THE MOUNTING ARRANGEMENTS

THREE PHASE ASYNCHRONOUS MOTOR

The mounting arrangements of the motors comply with IEC34-7 Recommendation. There are four basic arrangements shown as the following tables and figures.

Fundamental arrangement	B3					
Mounting arrangement	B3	B6	B7	B8	V5	V6
Diagram						
Range of Manufacture (framesize)	56-400	56-355				
Fundamental arrangement	B5			B35		
Mounting arrangement	B5	V1	V3	B35	V15	V36
Diagram						
Range of Manufacture (framesize)	56-355	56-355	56-355	56-400	56-355	
Fundamental arrangement	B14					
Mounting arrangement	B14	B34	V18	V58	V19	V69
Diagram						
Range of Manufacture (framesize)	56-160					



www.alliancemotori.com

Authorized Dealer

The information provided in this catalogue contains descriptions or characteristics of performance which in case of actual use do not always apply as described or which may change as a result of further development of the products. An obligation to provide the respective characteristics shall only exist if expressly agreed in the terms of contract. Availability and technical specifications are subject to change without notice.