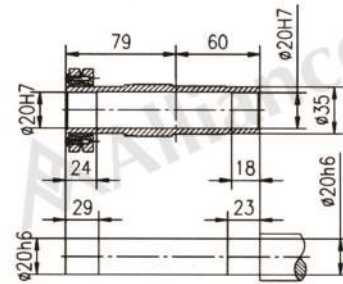
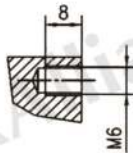
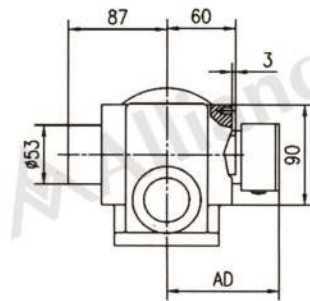
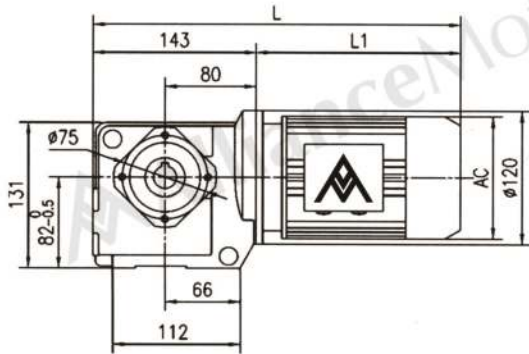


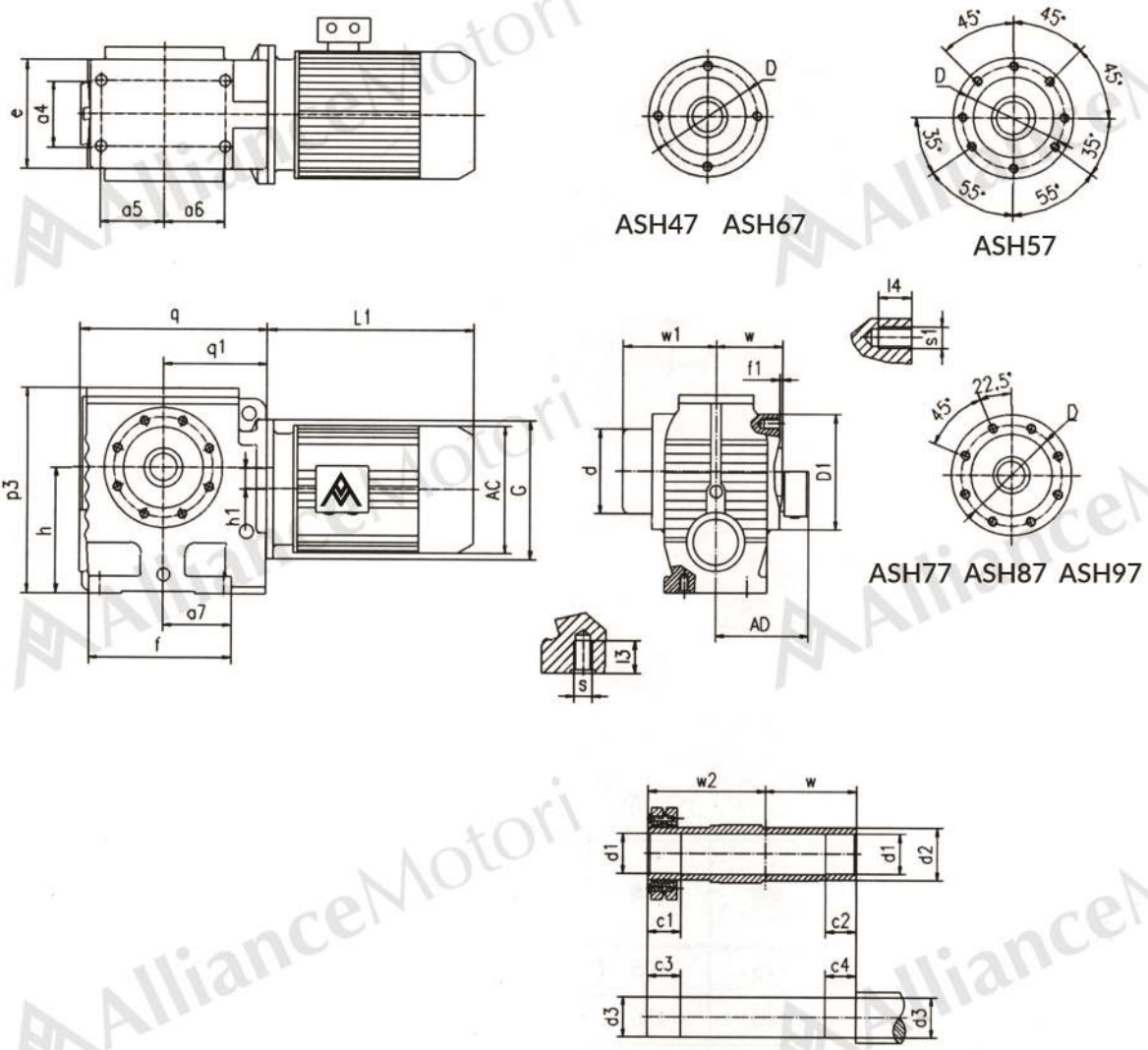
G.10 Mounting Dimensional Description -- ASH37



Motor frame size	63	71	80	90S	90L			
AC	130	145	175	195	195			
AD	70	80	145	155	155			
L1	207	225	255	270	295			
L	350	368	398	413	438			

Note : When equipping the user's motor or the special one, the flange is required to connected

G.11 Mounting Dimensional Description -- ASH47-97



Specification	q	e	a ₆	p ₃	h	f	w	c ₁	c ₃	D	d	d ₂	s	l ₃	w ₂	Motor Size			
	q ₁	a ₄	a ₅	a ₇	h ₁	f ₁	w ₁	c ₂	c ₄	D ₁	d ₁	d ₃	s ₁	l ₄	G	AC	AD	L1	
ASH47	171	94	52	179	100 ^{-0.5}	127	60	31	36	Φ 115	Φ 75	Φ 45	M10	20	86	Please see appendix A-2			
	96	60	35	67	8	2.5	95	20	25	Φ 130	Φ 30H7	Φ 30h6	M8	12	Φ 120				
ASH57	187	100	58.5	189	112 ^{-0.5}	146	75	32	37	Φ 102	Φ 83	Φ 50	M10	20	102				
	107	60	58.5	73	20	3	110	20	25	Φ 120	Φ 35H7	Φ 35h6	M8	12	Φ 120				
ASH67	242	128	80.5	236	140 ^{-0.5}	182	84	38	43	Φ 130	Φ 93	Φ 65	M12	25	112				
	135	88	71.5	95.5	22	3.5	120	20	25	Φ 155	Φ 40H7	Φ 40h6	M12	20	Φ 160				
ASH77	287	154	85	301	180 ^{-0.5}	204	105	36	41	Φ 155	Φ 114	Φ 80	M16	32	136				
	162	102	85	104	34	4	146	30	35	Φ 178	Φ 50H7	Φ 50h6	M12	20	Φ 200				
ASH87	340	194	110	368	225 ^{-0.5}	260	125	40	45	Φ 180	Φ 157	Φ 95	M16	32	165				
	190	118	115	125	37.5	5	176	40	45	Φ 215	Φ 65H7	Φ 65h6	M16	26	Φ 250				
ASH97	420	236	113	455	280 ^{-1.0}	301	145	55	60	Φ 220	Φ 174	Φ 120	M20	36	190				
	240	160	135	140	52	5	204	50	55	Φ 260	Φ 75H7	Φ 75h6	M16	26	Φ 300				

Note : When equipping the user's motor or the special one, the flange is required to connected