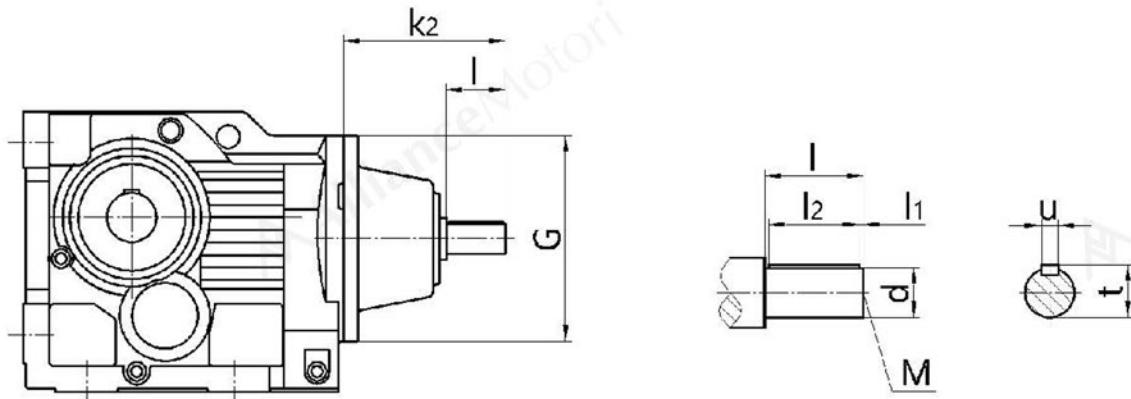


■ Mounting Dimensional Description AK.. 39-189AD1-8



Type Size	Specification	Range Power	d	G	k <sub>2</sub>	l	M	l <sub>1</sub>	l <sub>2</sub>	t	u
AK..39	AD1	0.12-0.18	16k6	Φ120	130	40	M5	4	32	18	5
	AD2	0.25-3	19k6	Φ120	130	40	M6	4	32	21.5	6
AK..49	AD2	0.12-1.5	19k6	Φ160	149	40	M6	4	32	21.5	6
	AD3	2.2-3	24k6	Φ160	159	50	M8	5	40	27	8
AK..59/69	AD2	0.12-1.5	19k6	Φ160	149	40	M6	4	32	21.5	6
	AD3	2.2-5.5	24k6	Φ160	159	50	M8	5	40	27	8
AK..79	AD2	0.12-1.5	19k6	Φ200	184	40	M6	4	32	21.5	6
	AD3	2.2-4	24k6	Φ200	194	50	M8	5	40	27	8
	AD4	5.5-11	38k6	Φ200	224	80	M12	5	70	41	10
AK..89	AD2	0.55-1.5	19k6	Φ250	136	40	M6	4	32	21.5	6
	AD3	2.2-4	28k6	Φ250	156	60	M10	5	50	31	8
	AD4	5.5-7.5	38k6	Φ250	262	80	M12	5	70	41	10
	AD5	11-22	42k6	Φ250	292	110	M16	10	70	45	12
AK..99	AD3	1.1-4	28k6	Φ300	194	60	M10	5	50	31	8
	AD4	5.5-7.5	38k6	Φ300	214	80	M12	5	70	41	10
	AD5	11-22	42k6	Φ300	327	110	M16	10	70	45	12
	AD6	30	48k6	Φ300	327	110	M16	10	80	51.5	14
AK..109	AD3	3-4	28k6	Φ350	188	60	M10	5	50	31	8
	AD4	5.5-7.5	38k6	Φ350	208	80	M12	5	70	41	10
	AD5	11-22	42k6	Φ350	321	110	M16	10	70	45	12
	AD6	30-45	48k6	Φ350	321	110	M16	10	80	51.5	14
AK..129	AD4	7.5	38k6	Φ450	270	80	M12	5	70	41	10
	AD5	11-22	42k6	Φ450	300	110	M16	10	90	45	12
	AD6	30-45	48k6	Φ450	300	110	M16	10	90	51.5	14
	AD7	55	55m6	Φ450	300	110	M20	10	90	59	16
	AD8	75-90	70m6	Φ450	383	140	M20	15	110	74.5	20
AK..159/169/189	AD5	11-22	42k6	Φ550	344	110	M16	10	90	45	12
	AD6	30-45	48k6	Φ550	344	110	M16	10	90	51.5	14
	AD7	55-90	55m6	Φ550	344	110	M20	10	90	59	16
	AD8	110-200	70m6	Φ550	374	140	M20	15	110	74.5	20

For other dimensions, see the type AK.

Note: 1. double shafts type is also available for type AKF/AKA/AKAB/AKAF/AKAZ/AKH/AKHK/AKHZ, and these double shafts types are respectively named type AKF.. AD.., AKA..AD.., AKAB..AD.., AKAF..AD.., AKAZ..AD.., AKH..AD.., AKHF..AD.., and AKHZ..AD..,  
 2. Applicable power refers to the input torque of 4 pole motor. If the connect way is coupling, can see the power range on the table directly, if the connect way is other pole motor, sprocket, belt pulley, need customers to convert by themselves.